



Model 116S

Technical Data

- 316L Stainless Steel Construction
- 1/4" NPT / No Drain
- 5000 PSIG Maximum Pressure
- Internal Volume (with Tie Rod / No Element): 25CC
- Solid PTFE Gasket (Standard-Included)
- Total Weight: 1 lb.
- Flow Rate @ 100 PSIG: 23 SCFM (Maximum Recommended Flow Rate for Optimal Efficiency)
 - Based on 12-32-70C Standard Coalescing Grade Element, 95% Efficient at 0.01 Micron
 - Higher flow rates are supported with increased initial pressure drop

Elements Available:

12-32-**xxx**

Disposable Borosilicate Glass Microfiber Filter Element

12-32-70C – Standard Recommended Coalescing Filter Element

SS-12-32-**xxT**

Stainless Steel Filter Element

Comes Standard with Teflon Seals "T", Add "V" for optional Viton Seals when Ordering
Micron Sizes: 005, 01, 03, 10, 25, 50, 100 and 200

PT-12-32-**xx**

PTFE Filter Element

Micron Sizes: 03 and 25

PEL-12-32-**xx**

PEL (Polyethylene) Filter Element

Micron Sizes: 10, 25, and 75

12-32-**xx**-TS

Adsorption Cartridge

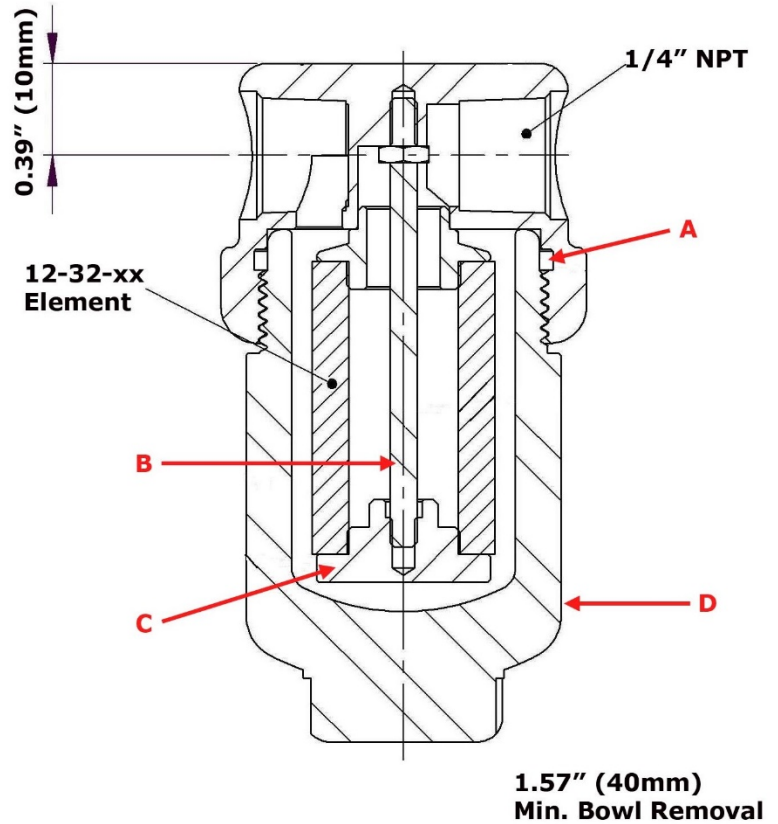
Adsorbents: CC, 4A, 13X, SG, DR, MB, PP, HO, SB, and CS

Replace "**xxx**" with grade, micron, or adsorbent needed. See [Filter Element Guide](#) for more information.

Available Gasket:

GP110S

Solid PTFE (Intermittent -328°F to 400°F) **Standard - Included******
****Consult Factory****



Replacement Parts:

GP110S	Solid PTFE Gasket (-15°F to 400°F) (A) **Standard - Included**
TR110	Stainless Steel Tie Rod (B)
ER110	Stainless Steel Element Retainer (C)
SSB116	Stainless Steel Bowl (D)

Accessories:

SC110	Stainless Steel Support Core
MBSS110	Stainless Steel Mounting Bracket (M5 x 10 Full Thread on 1.00" Center @ 90° to Port)

Part Number of Exotic Housing Materials:

Monel A400:	Model 116SM
Hastelloy C-276:	Model 116SHC
Inconel A625:	Model 116S-INC