



Model 114HP

Technical Data

- 316L Stainless Steel Construction
- 1/8" NPT / No Drain
- 10,000 PSIG Maximum Pressure
- Internal Volume (with Tie Rod / No Element): 23CC
- Viton O-Ring (Standard-Included)
- Total Weight: 5 lbs.
- Flow Rate @ 100 PSIG: 23 SCFM (Maximum Recommended Flow Rate for Optimal Efficiency)
 - Based on 12-32-70C Standard Coalescing Grade Element, 95% Efficient at 0.01 Micron
 - Higher flow rates are supported with increased initial pressure drop

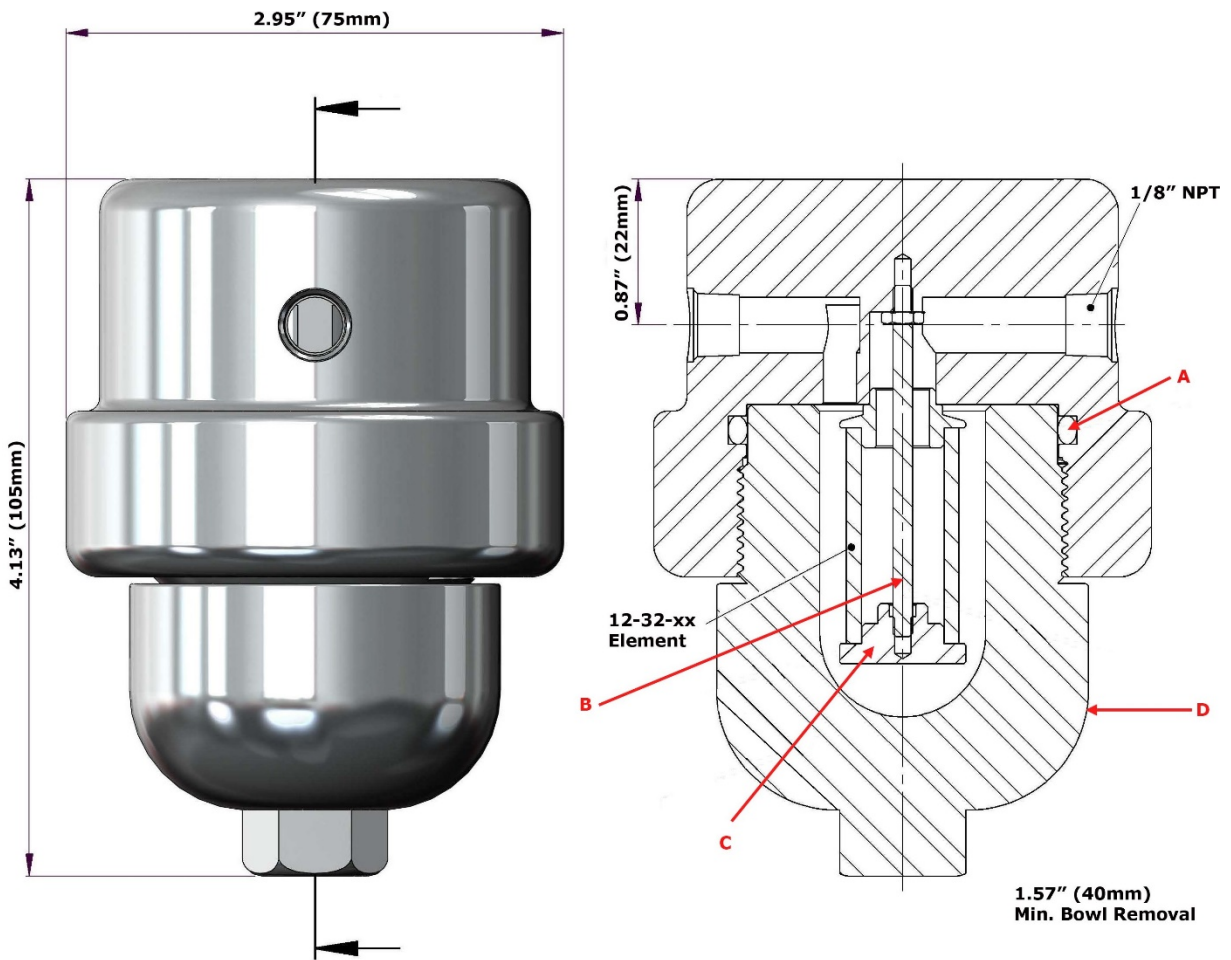
Elements Available:

12-32- xxx	Disposable Borosilicate Glass Microfiber Filter Element 12-37-70C – Standard Recommended Coalescing Filter Element
SS-12-32- xxT	Stainless Steel Filter Element Comes Standard with Teflon Seals "T", Add "V" for optional Viton Seals when Ordering Micron Sizes: 005, 01, 03, 10, 25, 50, 100 and 200
PT-12-32- xx	PTFE Filter Element Micron Sizes: 03 and 25
PEL-12-32- xx	PEL (Polyethylene) Filter Element Micron Sizes: 10, 25, and 75
12-32- xx -TS	Adsorption Cartridge Adsorbents: CC, 4A, 13X, SG, DR, MB, PP, HO, SB, and CS

Replace "**xxx**" with grade, micron, or adsorbent needed. See [Filter Element Guide](#) for more information.

Available O-Rings:

GV110HP	Viton (-15°F to 400°F) **Standard - Included**
BN110HP	Buna-N (-40°F to 250°F)
KZ110HP	Perfluoroelastomer (5°F to 600°F)
GS110HP	Silicone (-65°F to 400°F)
GE110HP	EPDM (-65°F to 300°F)



Replacement Parts:

GV110HP	Viton (-15°F to 400°F) (A) **Standard - Included**
TR110HP	Stainless Steel Tie Rod (B)
ER110HP	Stainless Steel Element Retainer (C)
SSB114HP	Stainless Steel Bowl (D)

Accessories:

SC110	Stainless Steel Support Core
MBSS130	Stainless Steel Mounting Bracket (M6 x 12 Full Thread on 1.50" Center @ 90° to Port)

Part Number of Exotic Housing Materials:

Monel A400:	Model 114HPM (Drawing)
Hastelloy C-276:	Model 114HP-HC (Drawing)
Inconel A625:	Model 114HP-INC (Drawing)