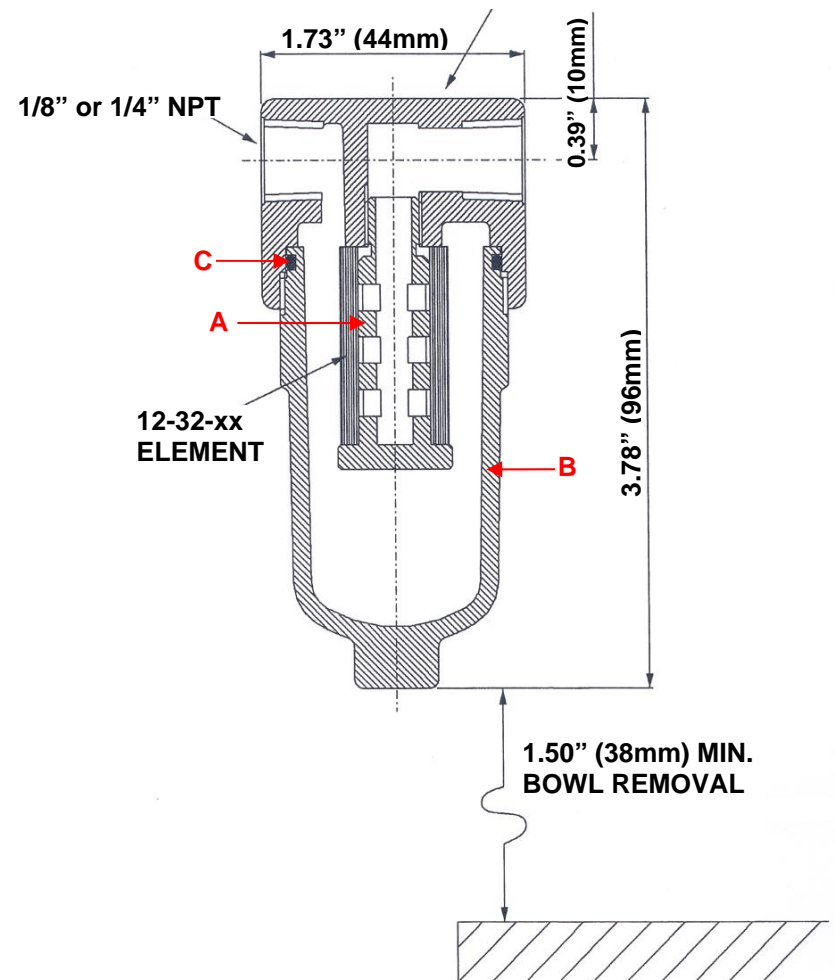



Model: 705P (1/8" or 1/4" NPT)

Replacement Parts List

12-32-xx	Disposable Filter Element
SS-12-32-xx	Stainless Steel Filter Element
PT-12-32-xx	PTFE Filter Element
PEL-12-32-xx	PEL Filter Element
TR710P	Tie Rod w/ Element Retainer (A)
PPB705	Polypropylene Bowl (B)
MBSS110	Mounting Bracket (Not Pictured)
Note – Please replace “xx” with micron rating or grade	
Available O-Rings	
BN710	Buna-N
GV710	Viton (Standard) (C)
KZ710	Kalrez

**2 OFF MOUNTING HOLES
M5 x 10 FULL THREAD ON
1.00" (25.4mm) CENTERS @
90° TO PORT CENTERLINE**



 <p>United Filtration Systems, Inc. 6558 Diplomat Drive Sterling Heights, MI 48314 1-800-311-5561 www.unitedfiltration.com</p>	Model 705P		<p>THE COPYRIGHT OF THIS DRAWING IS RESERVED BY UNITED FILTRATION. IT IS ISSUED ON CONDITION THAT IT IS NOT COPIED, REPRODUCED OR DISCLOSED TO A THIRD PART EITHER WHOLLY, OR IN PART WITHOUT CONSENT IN WRITING.</p>
	<p>Material: Head: Polypropylene Bowl: Polypropylene Internals: Polypropylene Standard Gasket / O-ring: Viton</p>	<p>Drain Type: No Drain Maximum Temperature: 120°F Maximum Pressure: 100 PSIG Internal Volume: 50 cc</p>	
<p>DO NOT SCALE DRAWING IF IN DOUBT ASK</p>			