



"A leading worldwide supplier of high efficiency filters for a variety of industries and applications."

GUARDIAN SPIN CLEAN

The Guardian Spin Clean (GSC) is based upon our proprietary design of the Guardian Membrane Series. This user friendly design makes infield serviceability a snap.

Since all of the connections are on one side of the filter body, no fittings need to be undone to replace the stainless steel disc. The inlet port is angled to create a spinning action which helps extend the filter life between change outs. The vertex edge of the spinning chamber is slightly curved to increase the velocity of the cyclone action, thus sweeping the heavy particles out the bypass drain. The porous stainless steel disc is encapsulated in a removable plug making service even that much easier. Seven different grades of filtration are available: 005, 1, 3, 10, 25, 50, 100 micron.



Features:

- 316L Stainless Steel
- 1/4" And 1/2" Ports Available
- 1500 PSIG Maximum Pressure
- Integral Porting

Applications:

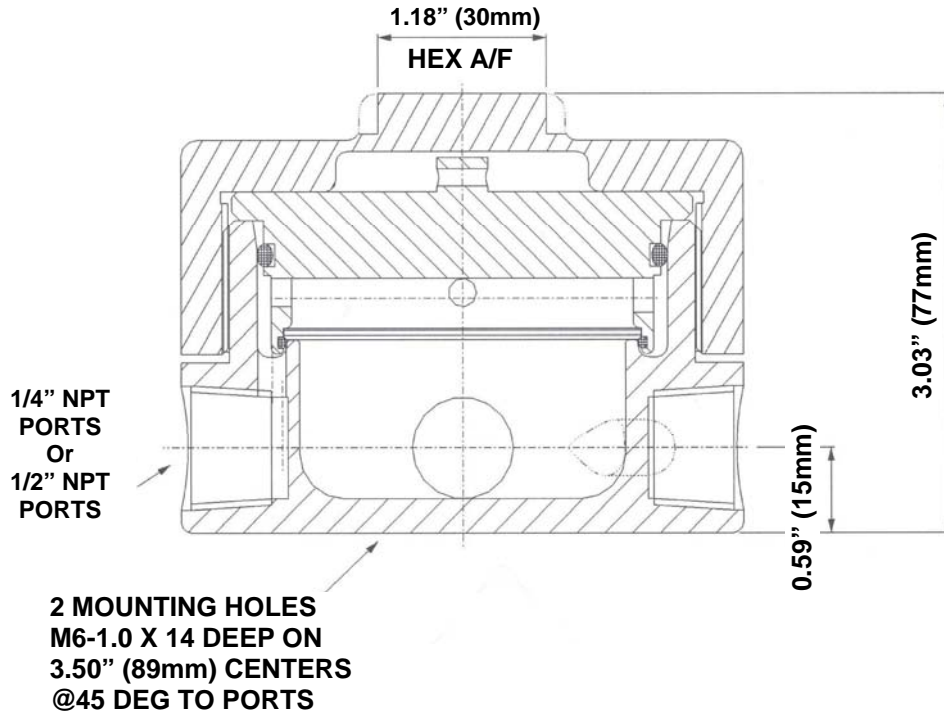
- Protect Liquid And Vapor Analyzers From Small Particles
- Remove Iron Sulfide Particles
- Ideal For Control Sample Applications

TECHNICAL INFORMATION

Stainless Steel Model	GSC205.31101.□	GSC205.32201.□	GSC205.32202.□
Replaces Model	SC207.221.□	SC207.421.□	SC207.441.□
Inlet / Outlet (NPT)	1/4"	1/2"	1/2"
Sample Port (NPT)	1/4"	1/4"	1/2"
Maximum Pressure (psig)	1500	1500	1500
Maximum Temperature (°F)	410	410	410
Internal Volume (Behind Membrane Chamber–Clean Side) (cc)	20	20	20
Internal Volume of Spinning Chamber (cc)			
Weight of Housing (lbs)	7	7	7
Principle Dimensions: (inch)			
Center of Port to Back	0.50	0.63	0.63
Body Diameter	3.94	3.94	3.94
Body Depth (With Hex)	2.70 (3.00)	2.70 (3.00)	2.70 (3.00)
Space Required to Remove Cap	1.80	1.80	1.80
Stainless Steel Disc - Included with Housing (1)(2)	FDGSC205-□	FDGSC205-□	FDGSC205-□
Materials Of Construction:			
Head, Bowl & Internals	316L Stainless Steel	316L Stainless Steel	316L Stainless Steel
Seals (Standard)	Viton	Viton	Viton
Accessories:			
Buna-N Seal Set	BNGSC205	BNGSC205	BNGSC205
EPDM Seal Set	GEGSC205	GEGSC205	GEGSC205
Kalrez Seal Set	KZGSC205	KZGSC205	KZGSC205
Viton Seal Set Standard	GVGSC205	GVGSC205	GVGSC205
Mounting Bracket	MBGSC205	MBGSC205	MBGSC205

Notes: (1) Add Micron Rating Required, e.g. FDGSC205-01, FDGSC205-10, FDGSC205-25 and FDGSC205-50
 (2) If ordering Micron Size 005, a minimum order is required.

GUARDIAN SPIN CLEAN



HOW TO ORDER A GUARDIAN SPIN CLEAN HOUSING

Base Part Number	Number of Ports	Inlet	Outlet	Optional Bypass	Sample	Micron Size
GSC205	3 = 3 Ports	0 = No	0 = No	0 = No	0 = No	005 = 0.5 Micron
	4 = 4 Ports	1 = 1/4"	1 = 1/4"	1 = 1/4"	1 = 1/4"	01 = 1 Micron
		2 = 1/2"	2 = 1/2"	2 = 1/2"	2 = 1/2"	03 = 3 Micron
						10 = 10 Micron
						25 = 25 Micron
						50 = 50 Micron
						100 = 100 Micron

Example Part Number: GSC205.31101.50

GSC205 FLOW RATES⁽¹⁾

	Inlet Flow (LPM) (Port 1)	Outlet Sample Flow (LPM) (Port 2)	Bypass Flow (LPM) (Port 3)	Filter Differential Pressure Across Ports 1 and 2 (PSID)
Empty Housing	3.78	1.89	1.89	0.22
	11.17	5.68	5.49	1.82
	18.56	9.46	9.10	4.32
3 Micron	3.84	1.89	1.95	0.27
	11.40	5.68	5.72	2.14
	18.97	9.46	9.51	5.60
50 Micron	3.86	1.89	1.97	0.26
	11.43	5.68	5.75	2.07
	19.04	9.46	9.58	5.40

Notes: (1) Higher microns result in a reduced pressure drop across the filter disc.