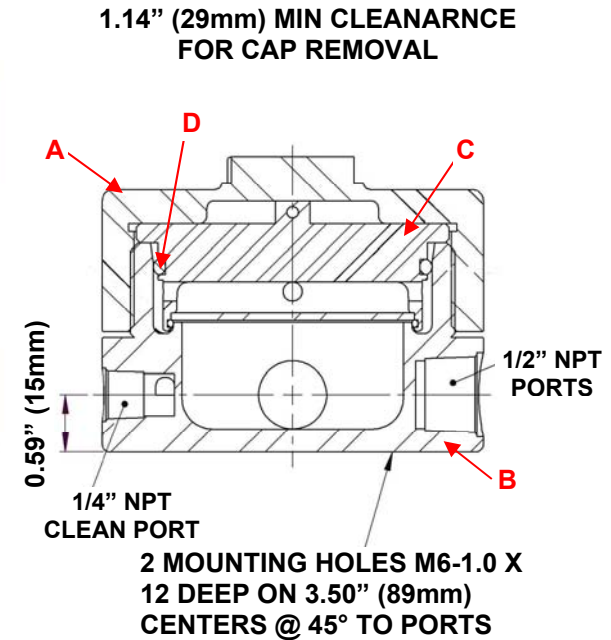
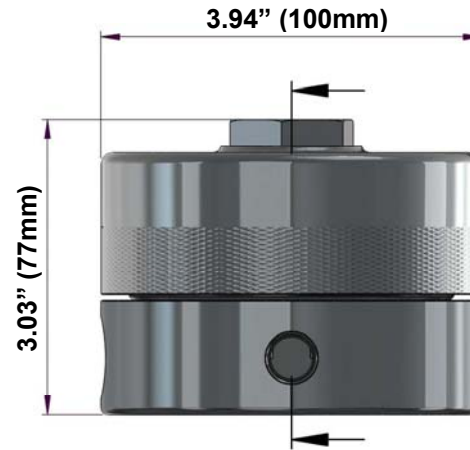



Model: GSC205.32201
(Sample Part Number: GSC205.31101.03)

Replacement Parts List	
FDGSC205.xx	Stainless Steel Disc Micron Sizes Available: 005, 1, 3, 10, 25, 50, & 100
GSC205-C	Stainless Steel Cap (A)
GSC205-Base	Stainless Steel Base (B)
GSC205-Insert	Stainless Steel Insert (C)
MBGSC205	Mounting Bracket (Not Pictured) Included
Oxygen Cleaning Service Available	
Available O-Rings	
BNGSC205	Buna-N (Set of 3)
GVGSC205	Viton (Standard) (Set of 3) (D)
KZGSC205	Kalrez (Set of 3)
GEGSC205	EPDM (Set of 3)



Please Note: Exotic Materials are available, for Hastelloy-C (GSC205HC.32201.xx), Monel (GSC205M.32201.xx).

 <p>United Filtration Systems, Inc. 6558 Diplomat Drive Sterling Heights, MI 48314 1-800-311-5561 www.unitedfiltration.com</p>	Model GSC205.32201		<p>THE COPYRIGHT OF THIS DRAWING IS RESERVED BY UNITED FILTRATION. IT IS ISSUED ON CONDITION THAT IT IS NOT COPIED, REPRODUCED OR DISCLOSED TO A THIRD PART EITHER WHOLLY, OR IN PART WITHOUT CONSENT IN WRITING.</p>
	<p>Material: Head: 316L Stainless Steel Bowl: 316L Stainless Steel Internals: 316L Stainless Steel Standard Gasket / O-ring: Viton</p>	<p>Maximum Temperature: 410°F Maximum Pressure: 1500 PSIG Internal Volume: 20cc (Behind Membrane) Weight: 6.5 lbs.</p>	
<p>DO NOT SCALE DRAWING IF IN DOUBT ASK</p>	<p>Drawn By & Date UFS0922Y</p>		