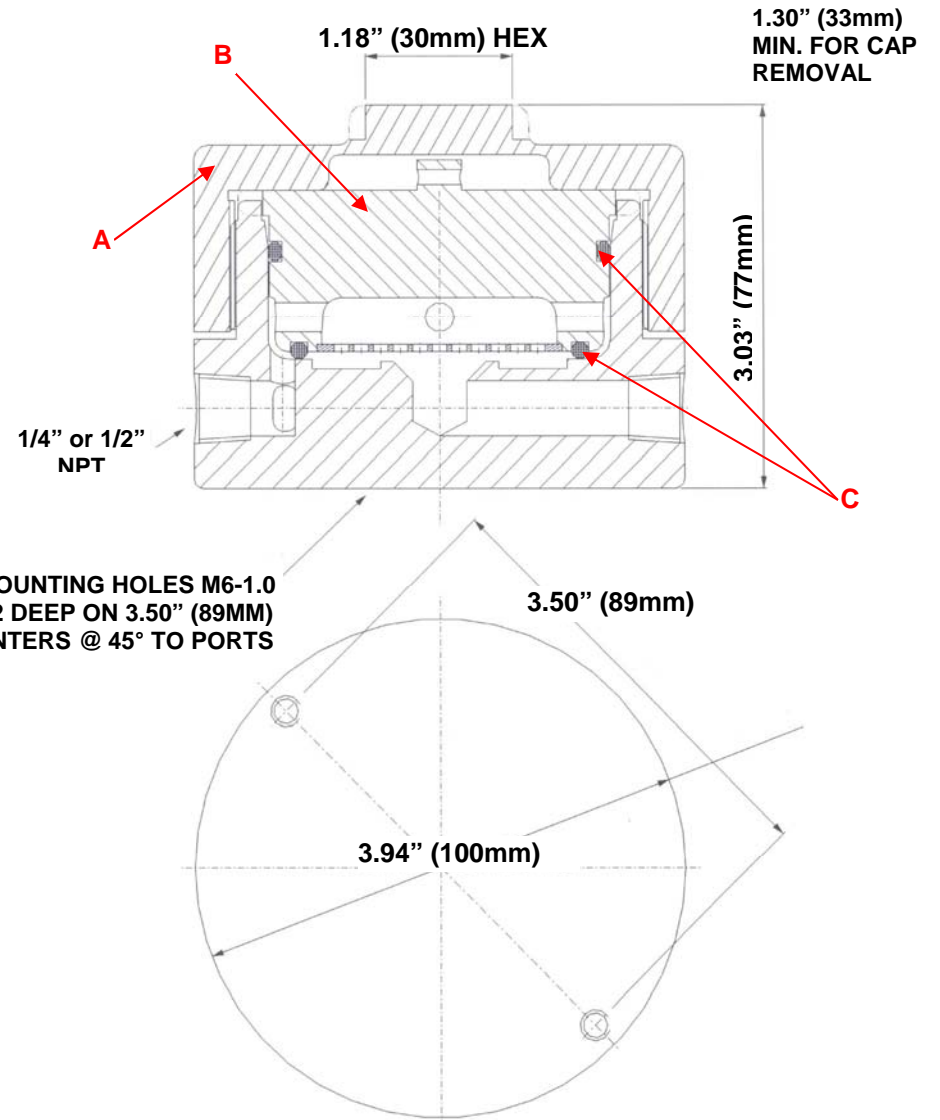



**Model: GMS205-1/4" or GMS205-1/2"**

**Replacement Parts List**

MT.61.M1	Low Flow Replacement Kit – 0.1 Micron <small>(Includes 5 PTFE Membranes, and Viton O-Rings)</small>
MT.61.M2	High Flow Replacement Kit – 0.8 Micron <small>(Includes 5 PTFE Membranes, and Viton O-Rings)</small>
GMS205-C	Stainless Steel Cap (A)
GMS205-Plug	Stainless Steel Plug Insert (B)
GMS105-PR	Pull Ring (Not Pictured)
SSGMS205	Stainless Steel Disc (Not Pictured)
MBGMS205	Mounting Bracket (Not Pictured)
Oxygen Cleaning Service Available	
<b>Available O-Rings</b>	
BNGMS205	Buna-N (Set of 2)
GVGMS205	Viton (Standard) (Set of 2) (C)
KZGMS205	Kalrez (Set of 2)
GEGMS205	EPDM (Set of 2)



Please Note: Exotic Materials are available, for Hastelloy-C (GMS205HC), Monel (GMS205M), and PTFE (GMS205P).

 <p><b>United Filtration Systems, Inc.</b> 6558 Diplomat Drive Sterling Heights, MI 48314 1-800-311-5561 <a href="http://www.unitedfiltration.com">www.unitedfiltration.com</a></p>	<b>Model GMS205-1/4" or GMS205-1/2"</b>		<p>THE COPYRIGHT OF THIS DRAWING IS RESERVED BY UNITED FILTRATION. IT IS ISSUED ON CONDITION THAT IT IS NOT COPIED, REPRODUCED OR DISCLOSED TO A THIRD PART EITHER WHOLLY, OR IN PART WITHOUT CONSENT IN WRITING.</p>
	<p><b>Material:</b> Head: 316L Stainless Steel Bowl: 316L Stainless Steel Internals: 316L Stainless Steel Standard Gasket / O-ring: Viton</p>	<p><b>Drain Type:</b> 1/4" FNPT or 1/2" FNPT <b>Maximum Temperature:</b> 300°F <b>Maximum Pressure:</b> 1500 PSIG <b>Internal Volume:</b> 19.69CC (Behind Membrane) <b>Weight:</b> 7 lbs.</p>	

**DO NOT SCALE DRAWING  
IF IN DOUBT ASK**