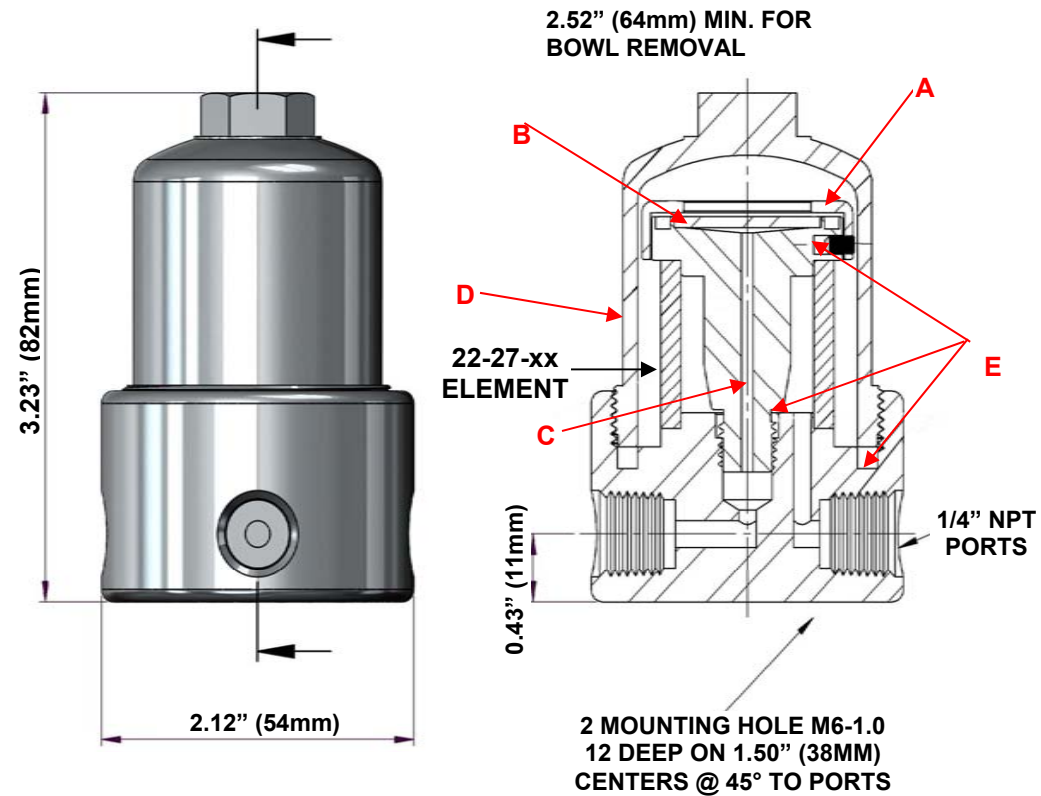



Model: GMS170 (1/4" NPT)

Replacement Parts List

MT.33.M1/50C-170	Low Flow Replacement Kit – 0.1 Micron <small>(Includes 5 PTFE Membranes, 22-27-50C Elements, 5 Viton O-Rings, and 1 Reusable PTFE Ring)</small>
MT.33.M2/50C-170	High Flow Replacement Kit – 0.8 Micron <small>(Includes 5 PTFE Membranes, 22-27-50C Elements, 5 Viton O-Rings, and 1 Reusable PTFE Ring)</small>
PTGMS170-Ring	Reusable PTFE Ring (A)
SSGMS105	Stainless Steel Disc (B)
ERGMS170	Element Retainer (C)
SSB GMS170	Stainless Steel Bowl (D)
MBGMS170	Mounting Bracket (Not Pictured) <i>Sold Separately</i>
Oxygen Cleaning Service Available	
Available O-Rings	
BNGMS170	Buna-N (Set of 3)
GVGMS170	Viton (Standard) (Set of 3) (E)
KZGMS170	Kalrez (Set of 3)
GEGMS170	EPDM (Set of 3)



Please Note: Exotic Materials are available, for Hastelloy-C (GMS170HC), Monel (GMS170M), and PTFE (GMS170P).

 <p>United Filtration Systems, Inc. 6558 Diplomat Drive Sterling Heights, MI 48314 1-800-311-5561 www.unitedfiltration.com</p>	Model GMS170		<p>THE COPYRIGHT OF THIS DRAWING IS RESERVED BY UNITED FILTRATION. IT IS ISSUED ON CONDITION THAT IT IS NOT COPIED, REPRODUCED OR DISCLOSED TO A THIRD PART EITHER WHOLLY, OR IN PART WITHOUT CONSENT IN WRITING.</p>
	<p>Material: Head: 316L Stainless Steel Bowl: 316L Stainless Steel Internals: 316L Stainless Steel Standard Gasket / O-ring: Viton</p>	<p>Drain Type: 1/4" FNPT Maximum Temperature: 300°F Maximum Pressure: 2000 PSIG Internal Volume: 23.8 cc Total <small>(Inlet Side of Element: 3.9; Drain Side of Element: 19.5; Sample Side of Membrane: 0.4)</small> Weight: 1.5 lbs.</p>	

**DO NOT SCALE DRAWING
IF IN DOUBT ASK**