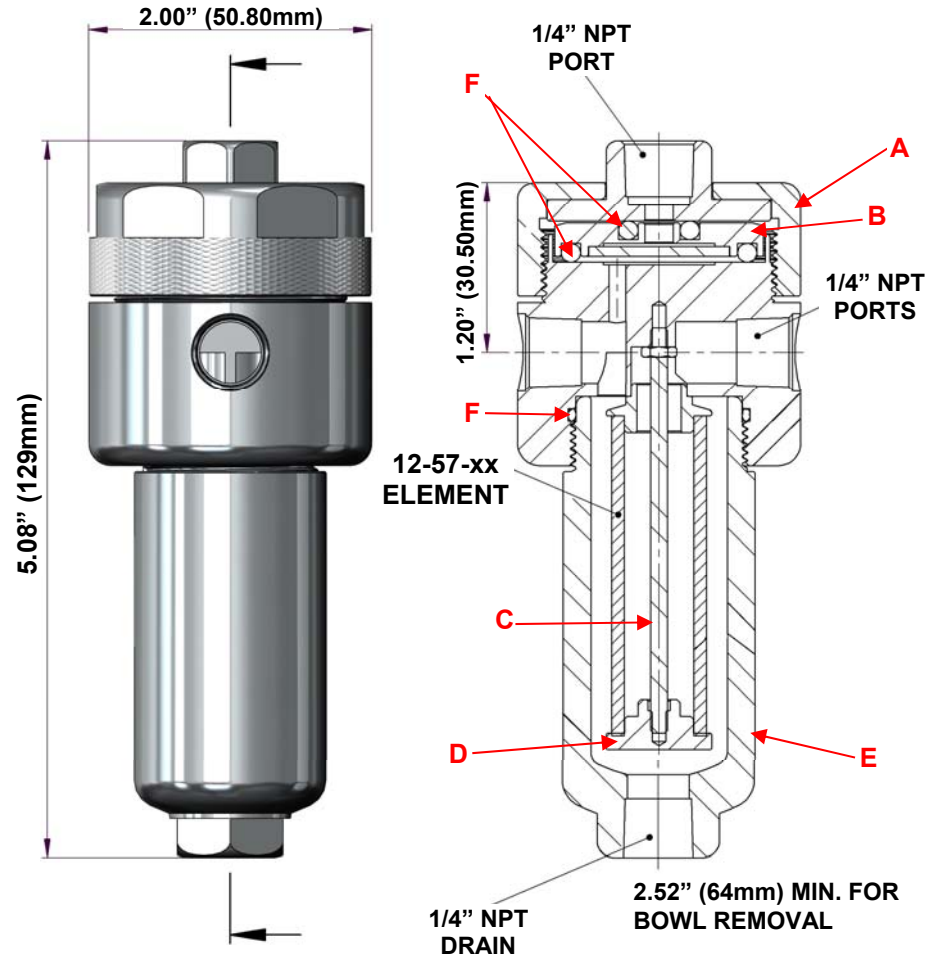



Model: GMS122

Replacement Parts List

MT.33.M1/50C	Low Flow Replacement Kit – 0.1 Micron <i>(Includes 5 PTFE Membranes, 12-57-50C Elements, and Viton O-Rings)</i>
MT.33.M2/50C	High Flow Replacement Kit – 0.8 Micron <i>(Includes 5 PTFE Membranes, 12-57-50C Elements, and Viton O-Rings)</i>
GMS120-C	Stainless Steel Collar (A)
GMS120-CVP	Stainless Steel Hex Plate (B)
GMS120-Plug	Stainless Steel Membrane Insert (Not Pictured)
TR120	Tie Rod (C)
ER110	Element Retainer (D)
SSB 122	Stainless Steel Bowl (E)
SSGMS105	Stainless Steel Disc (Not Pictured)
MBGMS120	Mounting Bracket (Not Pictured) <i>Sold Separately</i>
Oxygen Cleaning Service Available	
Available O-Rings	
BNGMS120	Buna-N (Set of 3)
GVGMS120	Viton (Standard) (Set of 3) (F)
KZGMS120	Kalrez (Set of 3)
GEGMS120	EPDM (Set of 3)



Please Note: Exotic Materials are available, for Hastelloy-C (GMS122HC), Monel (GMS122M), and PTFE (GMS122P).

 <p>United Filtration Systems, Inc. 6558 Diplomat Drive Sterling Heights, MI 48314 1-800-311-5561 www.unitedfiltration.com</p> <p>DO NOT SCALE DRAWING IF IN DOUBT ASK</p>	Model GMS122		<p>THE COPYRIGHT OF THIS DRAWING IS RESERVED BY UNITED FILTRATION. IT IS ISSUED ON CONDITION THAT IT IS NOT COPIED, REPRODUCED OR DISCLOSED TO A THIRD PART EITHER WHOLLY, OR IN PART WITHOUT CONSENT IN WRITING.</p>
	<p>Material: Head: 316L Stainless Steel Bowl: 316L Stainless Steel Internals: 316L Stainless Steel Standard Gasket / O-ring: Viton</p>	<p>Drain Type: 1/4" FNPT Maximum Temperature: 300°F Maximum Pressure: 1500 PSIG Internal Volume: 0.118CC (Behind Membrane) Weight: 2 lbs.</p>	