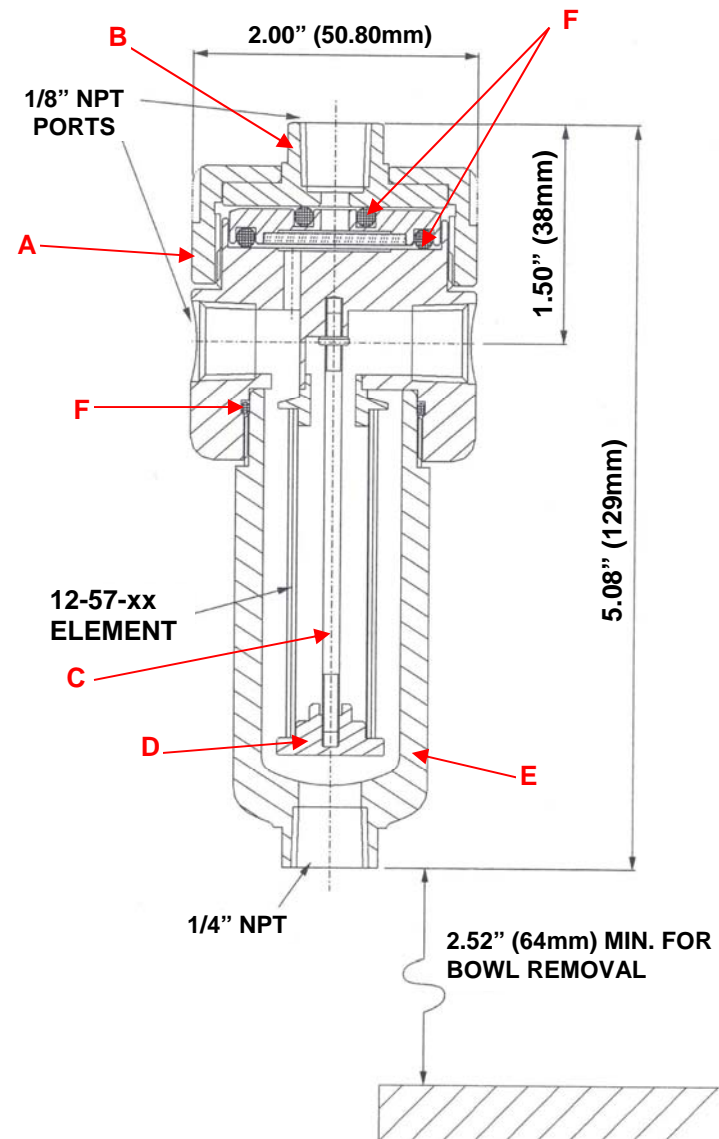



**Model: GMS120**

**Replacement Parts List**

MT.33.M1/50C	Low Flow Replacement Kit – 0.1 Micron <i>(Includes 5 PTFE Membranes, 12-57-50C Elements, and Viton O-Rings)</i>
MT.33.M2/50C	High Flow Replacement Kit – 0.8 Micron <i>(Includes 5 PTFE Membranes, 12-57-50C Elements, and Viton O-Rings)</i>
GMS120-C	Stainless Steel Cap (A)
GMS120-CVP	Stainless Steel Cover Plate (B)
GMS120-Plug	Stainless Steel Insert (Not Pictured)
TR120	Tie Rod (C)
ER110	Element Retainer (D)
SSB 120	Stainless Steel Bowl (E)
SSGMS105	Stainless Steel Disc (Not Pictured)
MBGMS120	Mounting Bracket (Not Pictured) <i>Sold Separately</i>
Oxygen Cleaning Service Available	
<b>Available O-Rings</b>	
BNGMS120	Buna-N (Set of 3)
GVGMS120	Viton (Standard) (Set of 3) (F)
KZGMS120	Kalrez (Set of 3)
GEGMS120	EPDM (Set of 3)



Please Note: Exotic Materials are available, for Hastelloy-C (GMS120HC), Monel (GMS120M), and PTFE (GMS120P).

 <p>United Filtration Systems, Inc. 6558 Diplomat Drive Sterling Heights, MI 48314 1-800-311-5561 <a href="http://www.unitedfiltration.com">www.unitedfiltration.com</a></p> <p><b>DO NOT SCALE DRAWING IF IN DOUBT ASK</b></p>	<b>Model GMS120</b>		<p>THE COPYRIGHT OF THIS DRAWING IS RESERVED BY UNITED FILTRATION. IT IS ISSUED ON CONDITION THAT IT IS NOT COPIED, REPRODUCED OR DISCLOSED TO A THIRD PART EITHER WHOLLY, OR IN PART WITHOUT CONSENT IN WRITING.</p>
	<p><b>Material:</b> Head: 316L Stainless Steel Bowl: 316L Stainless Steel Internals: 316L Stainless Steel Standard Gasket / O-ring: Viton</p>	<p><b>Drain Type:</b> 1/4" FNPT <b>Maximum Temperature:</b> 300°F <b>Maximum Pressure:</b> 1500 PSIG <b>Internal Volume:</b> 0.118CC (Behind Membrane) <b>Weight:</b> 2 lbs.</p>	