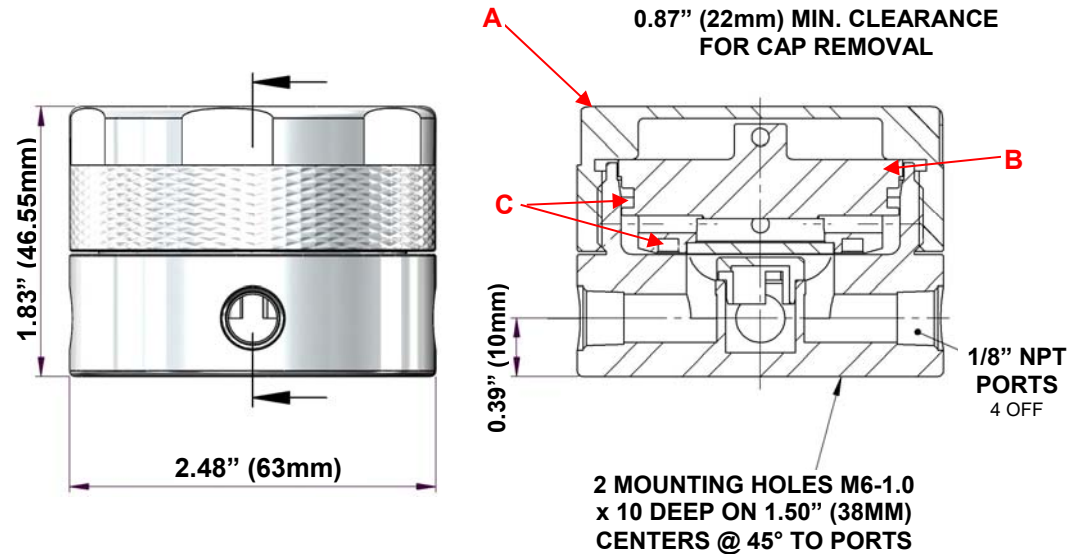



Model: GMS105-1/8"

Replacement Parts List

MT.33.M1	Low Flow Replacement Kit – 0.1 Micron <small>(Includes 5 PTFE Membranes, and Viton O-Rings)</small>
MT.33.M2	High Flow Replacement Kit – 0.8 Micron <small>(Includes 5 PTFE Membranes, and Viton O-Rings)</small>
GMS105-C	Stainless Steel Cap (A)
GMS105-Plug	Stainless Steel Plug Insert (B)
GMS105-PR	Pull Ring (Not Pictured)
SSGMS105	Stainless Steel Disc (Not Pictured)
MBGMS105	Mounting Bracket (Not Pictured)
Oxygen Cleaning Service Available	
Available O-Rings	
BNGMS105	Buna-N (Set of 2)
GVGMS105	Viton (Standard) (Set of 2) (C)
KZGMS105	Kalrez (Set of 2)
GEGMS105	EPDM (Set of 2)



Please Note: Exotic Materials are available, for Hastelloy-C (GMS105HC), Monel (GMS105M), PTFE (GMS105P).

 <p>United Filtration Systems, Inc. 6558 Diplomat Drive Sterling Heights, MI 48314 1-800-311-5561 www.unitedfiltration.com</p>	GMS105-1/8"		<p>THE COPYRIGHT OF THIS DRAWING IS RESERVED BY UNITED FILTRATION. IT IS ISSUED ON CONDITION THAT IT IS NOT COPIED, REPRODUCED OR DISCLOSED TO A THIRD PART EITHER WHOLLY, OR IN PART WITHOUT CONSENT IN WRITING.</p>
	<p>Material: Head: 316L Stainless Steel Bowl: 316L Stainless Steel Internals: 316L Stainless Steel Standard Gasket / O-ring: Viton</p>	<p>Drain Type: 1/4" FNPT Maximum Temperature: 300°F Maximum Pressure: 1500 PSIG Internal Volume: 3.96CC (Behind Membrane) Weight: 2 lbs.</p>	
<p>DO NOT SCALE DRAWING IF IN DOUBT ASK</p>			