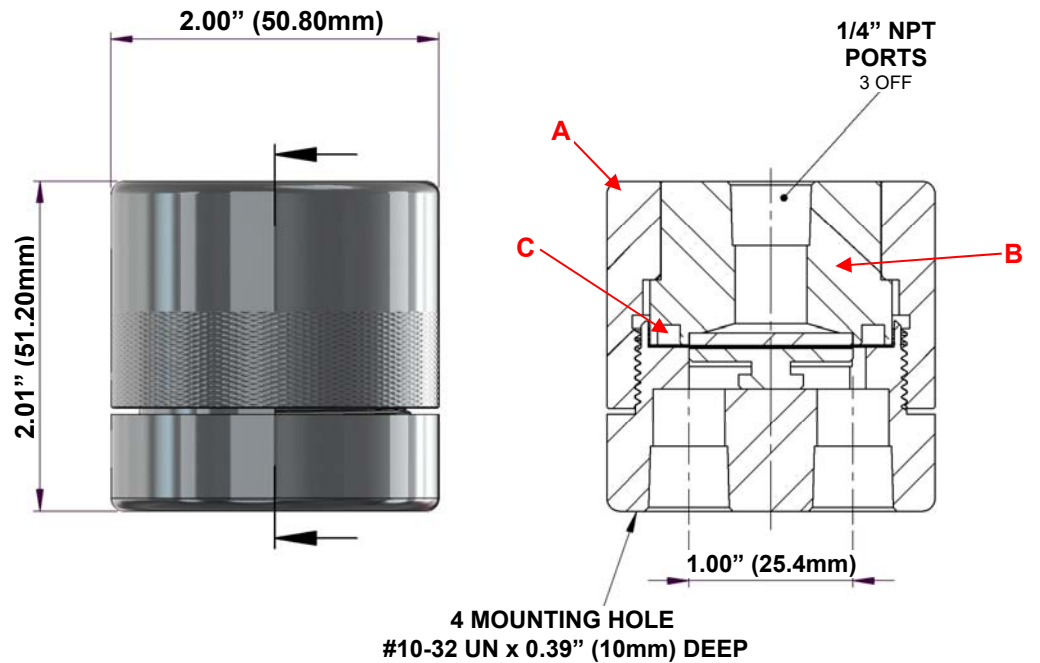



Model: GMS100

Replacement Parts List

MT.33.M1	Low Flow Replacement Kit – 0.1 Micron <small>(Includes 5 PTFE Membranes, and Viton O-Rings)</small>
MT.33.M2	High Flow Replacement Kit – 0.8 Micron <small>(Includes 5 PTFE Membranes, and Viton O-Rings)</small>
GMS100-C	Stainless Steel Cap (A)
GMS100-Plug	Stainless Steel Plug Insert (B)
SSGMS105	Stainless Steel Support Disc (Not Pictured)
Oxygen Cleaning Service Available	
Available O-Rings	
BNGMS100	Buna-N
GVGMS100	Viton (Standard) (C)
KZGMS100	Kalrez
GEGMS100	EPDM



 <p>United Filtration Systems, Inc. 6558 Diplomat Drive Sterling Heights, MI 48314 1-800-311-5561 www.unitedfiltration.com</p> <p>DO NOT SCALE DRAWING IF IN DOUBT ASK</p>	Model GMS100		<p>THE COPYRIGHT OF THIS DRAWING IS RESERVED BY UNITED FILTRATION. IT IS ISSUED ON CONDITION THAT IT IS NOT COPIED, REPRODUCED OR DISCLOSED TO A THIRD PART EITHER WHOLLY, OR IN PART WITHOUT CONSENT IN WRITING.</p>
	<p>Material: Head: 316L Stainless Steel Bowl: 316L Stainless Steel Internals: 316L Stainless Steel Standard Gasket / O-ring: Viton</p>	<p>Drain Type: N/A Maximum Temperature: 300°F Maximum Pressure: 1500 PSIG Internal Volume: 3CC (Behind Membrane) Weight: 1.5 lbs.</p>	
<p>Drawn By & Date UFS0922Y</p>			