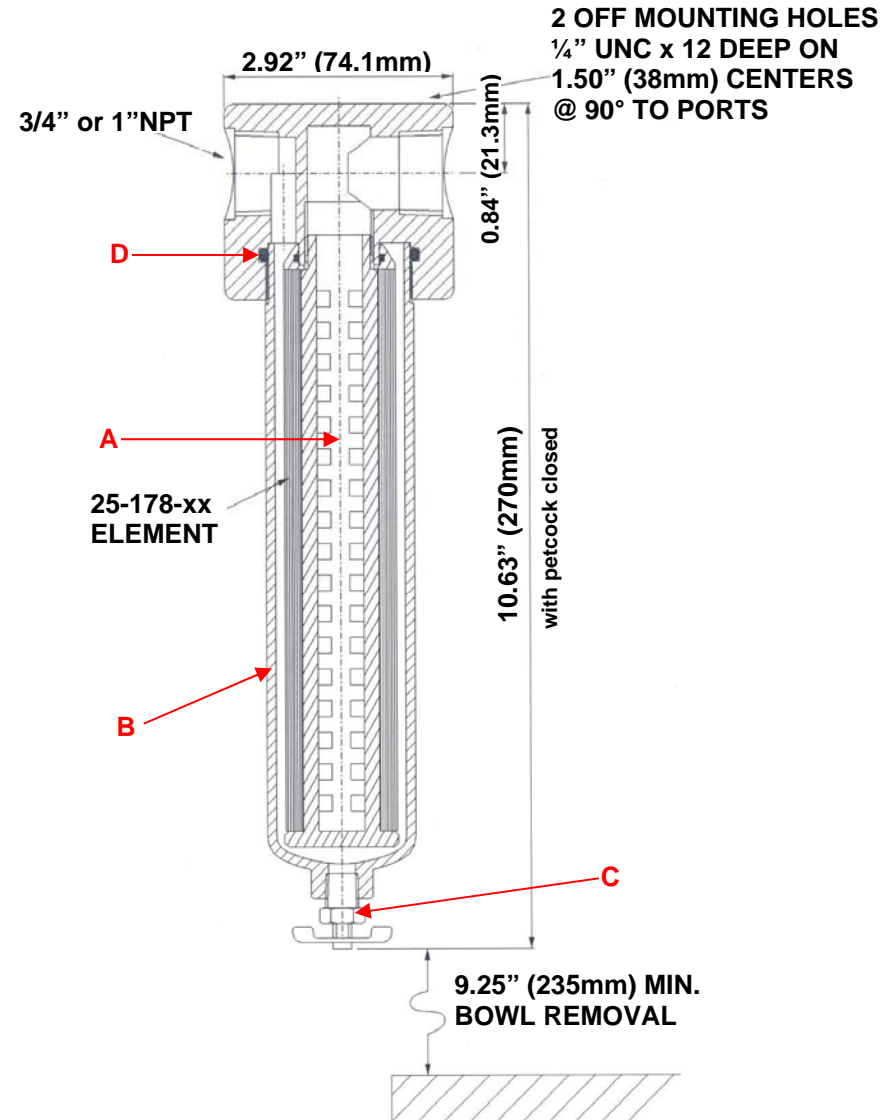



**Model: B370-3/4" or 1"-80C**

**Replacement Parts List**

25-178-xx	Disposable Filter Element
SS-25-178-xx	Stainless Steel Filter Element
PT-25-178-xx	PTFE Filter Element
PEL-25-178-xx	PEL Filter Element
TR370	Tie Rod w/ Element Retainer (A)
BB-B370	Brass Bowl w/ O-Ring (B)
MBSS360	Mounting Bracket (Not Pictured)
PET300	Brass Manual Petcock (C)
Oxygen Cleaning Service Available Note – Please replace "xx" with micron rating or grade	
<b>Available O-Rings</b>	
BNB360	Buna-N
GVB360	Viton (Standard) (D)
KZB360	Kalrez
GSB360	Silicone



 <p>United Filtration Systems, Inc. 6558 Diplomat Drive Sterling Heights, MI 48314 1-800-311-5561 <a href="http://www.unitedfiltration.com">www.unitedfiltration.com</a></p>	<b>B370-3/4" or 1"-80C</b>		<p>THE COPYRIGHT OF THIS DRAWING IS RESERVED BY UNITED FILTRATION. IT IS ISSUED ON CONDITION THAT IT IS NOT COPIED, REPRODUCED OR DISCLOSED TO A THIRD PART EITHER WHOLLY, OR IN PART WITHOUT CONSENT IN WRITING.</p>
	<p><b>Material:</b> Head: Brass Bowl: Brass Internals: Nylon Standard Gasket / O-ring: Viton</p>	<p><b>Drain Type:</b> Brass Petcock <b>Maximum Temperature:</b> 120°F <b>Maximum Pressure:</b> 250 PSIG <b>Internal Volume:</b> 315 cc <b>Weight:</b> 5.5 lbs.</p>	
<p><b>DO NOT SCALE DRAWING IF IN DOUBT ASK</b></p>	<p><b>Drawn By &amp; Date</b> UFS0616V</p>		