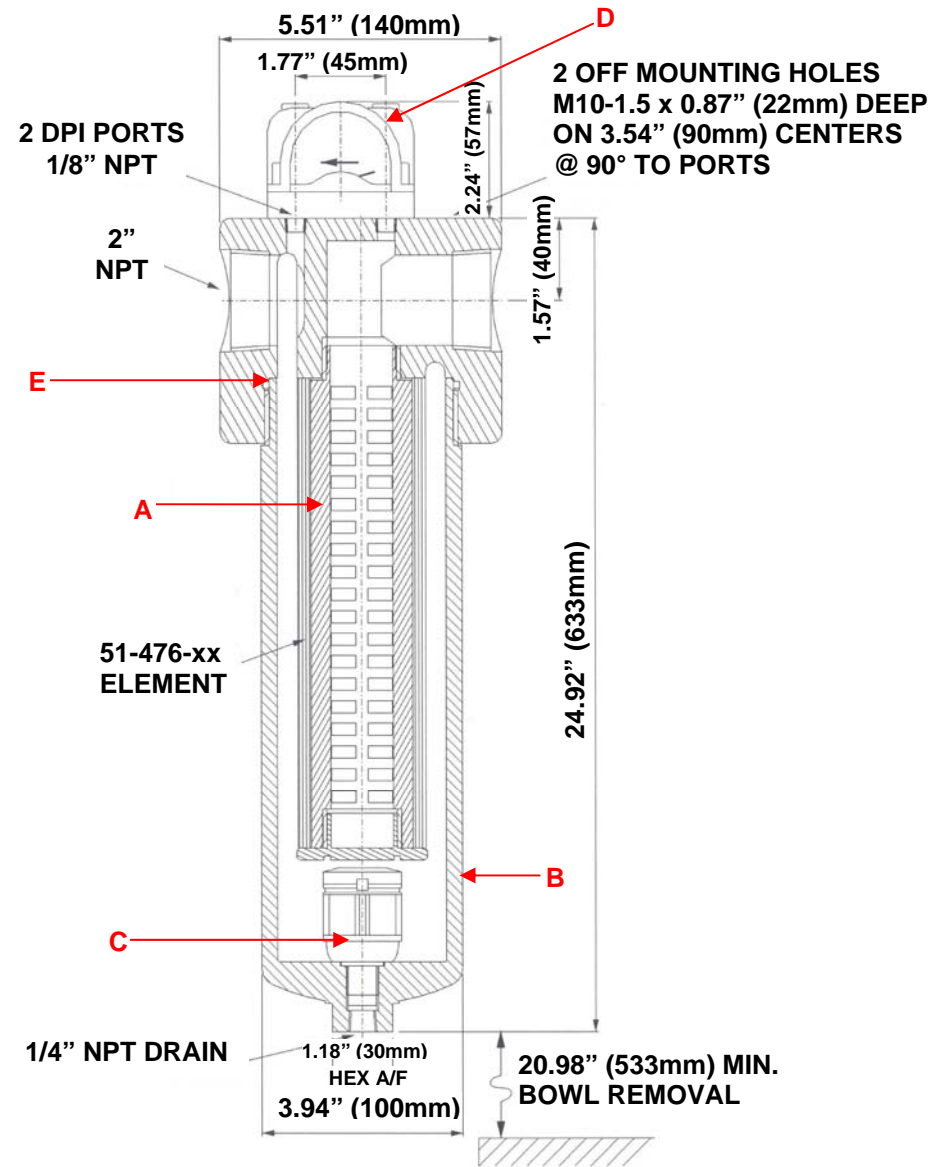



Model: 390AHPFVDI (2" NPT)

Replacement Parts List

51-476-xx	Disposable Filter Element
SS-51-476-xx	Stainless Steel Filter Element
PT-51-476-xx	PTFE Filter Element
PEL-51-476-xx	PEL Filter Element
TR390AHP	Nylon Tie Rod w/ Element Retainer (A)
AB390HP	Aluminum Bowl (B)
FD300	Float Drain (C)
300VDI	Visual Differential Indicator (D)
MB390VDI	Mounting Bracket (Not Pictured)
Oxygen Cleaning Service Available Note – Please replace "xx" with micron rating or grade	
Available O-Rings	
BN385AHP	Buna-N
GV385AHP	Viton (Standard) (E)
KZ385AHP	Kalrez
GS385AHP	Silicone



 <p>United Filtration Systems, Inc. 6558 Diplomat Drive Sterling Heights, MI 48314 1-800-311-5561 www.unitedfiltration.com</p> <p>DO NOT SCALE DRAWING IF IN DOUBT ASK</p>	Model 390AHPFVDI		<p>THE COPYRIGHT OF THIS DRAWING IS RESERVED BY UNITED FILTRATION. IT IS ISSUED ON CONDITION THAT IT IS NOT COPIED, REPRODUCED OR DISCLOSED TO A THIRD PART EITHER WHOLLY, OR IN PART WITHOUT CONSENT IN WRITING.</p>
	<p>Material: Head: Aluminum Bowl: Aluminum Internals: Nylon Standard O-ring: Viton</p>	<p>Drain Type: 1/4" NPT Maximum Temperature: 250°F Maximum Pressure: 250 PSIG Internal Volume: 2980 cc Weight: 14 lbs</p>	