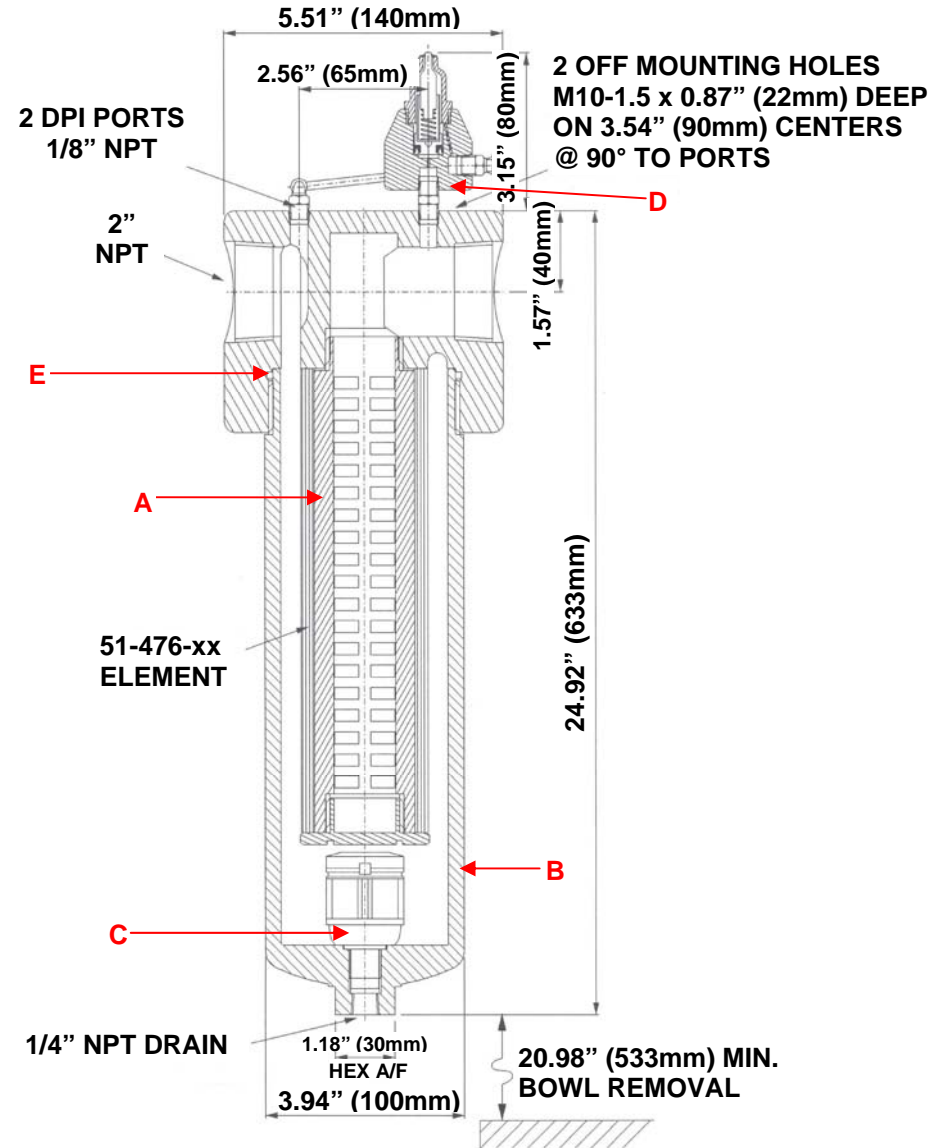


**Model: 390AHPFI (2" NPT)**

**Replacement Parts List**

51-476-xx	Disposable Filter Element
SS-51-476-xx	Stainless Steel Filter Element
PT-51-476-xx	PTFE Filter Element
PEL-51-476-xx	PEL Filter Element
TR390AHP	Nylon Tie Rod w/ Element Retainer (A)
AB390HP	Aluminum Bowl (B)
FD300	Float Drain (C)
DPI300	Differential Pressure Indicator Kit (D)
MB390VDI	Mounting Bracket (Not Pictured)
Oxygen Cleaning Service Available Note – Please replace "xx" with micron rating or grade	
<b>Available O-Rings</b>	
BN385AHP	Buna-N
GV385AHP	Viton (Standard) (E)
KZ385AHP	Kalrez
GS385AHP	Silicone



United Filtration Systems, Inc.  
6558 Diplomat Drive  
Sterling Heights, MI 48314  
1-800-311-5561  
[www.unitedfiltration.com](http://www.unitedfiltration.com)

**DO NOT SCALE DRAWING  
IF IN DOUBT ASK**

**Model 390AHPFI**

**Material:**  
Head: Aluminum  
Bowl: Aluminum  
Internals: Nylon  
Standard O-ring: Viton

**Drain Type:** 1/4" NPT  
**Maximum Temperature:** 250°F  
**Maximum Pressure:** 250 PSIG  
**Internal Volume:** 2980 cc  
**Weight:** 14 lbs

**Drawn By & Date** UFS0528V

THE COPYRIGHT OF THIS DRAWING IS RESERVED BY UNITED FILTRATION. IT IS ISSUED ON CONDITION THAT IT IS NOT COPIED, REPRODUCED OR DISCLOSED TO A THIRD PART EITHER WHOLLY, OR IN PART WITHOUT CONSENT IN WRITING.