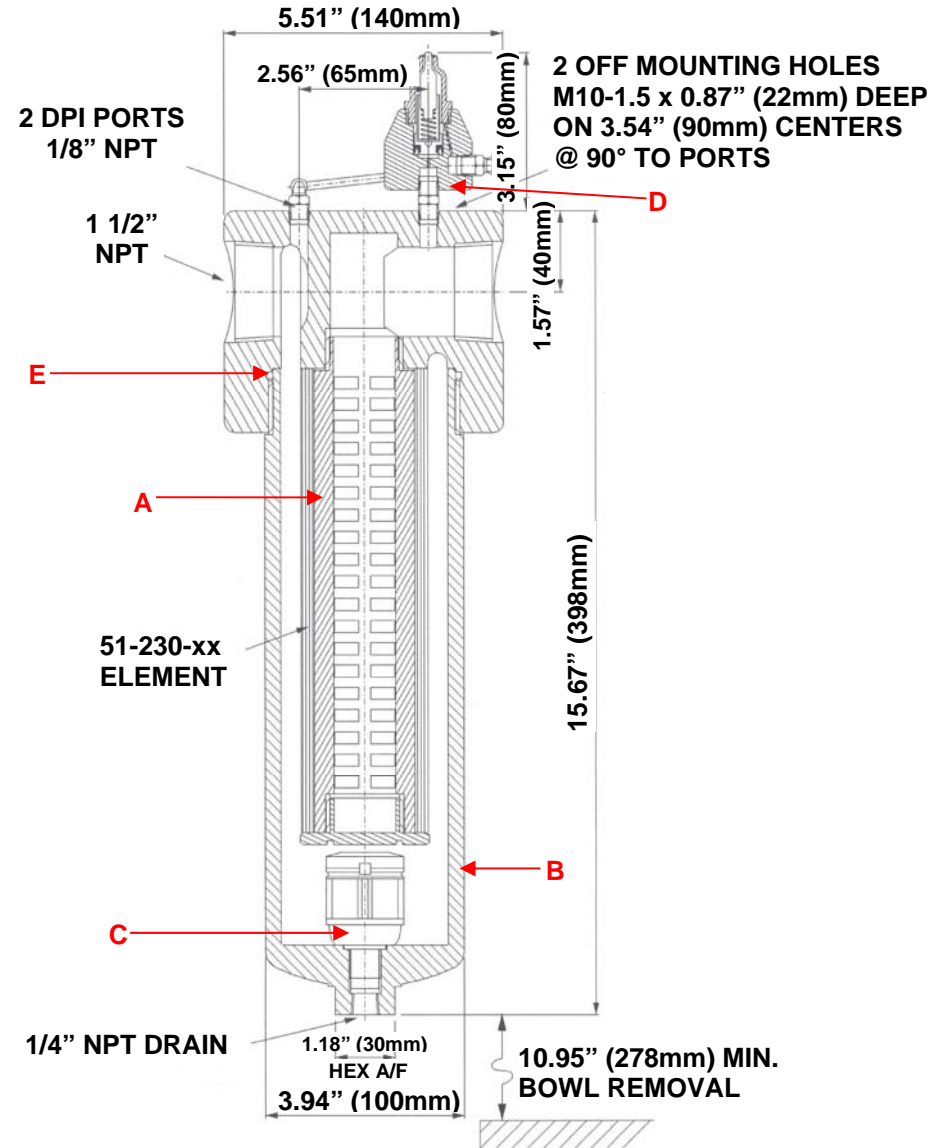


Model: 385AHPFI (1 1/2" NPT)

Replacement Parts List

51-230-xx	Disposable Filter Element
SS-51-230-xx	Stainless Steel Filter Element
PT-51-230-xx	PTFE Filter Element
PEL-51-230-xx	PEL Filter Element
TR385AHP	Nylon Tie Rod w/ Element Retainer (A)
AB385HP	Aluminum Bowl (B)
FD300	Float Drain (C)
DPI300	Differential Pressure Indicator Kit (D)
MB385VDI	Mounting Bracket (Not Pictured)
Oxygen Cleaning Service Available Note – Please replace "xx" with micron rating or grade	
Available O-Rings	
BN385AHP	Buna-N
GV385AHP	Viton (Standard) (E)
KZ385AHP	Kalrez
GS385AHP	Silicone



United Filtration Systems, Inc.
6558 Diplomat Drive
Sterling Heights, MI 48314
1-800-311-5561
www.unitedfiltration.com

**DO NOT SCALE DRAWING
IF IN DOUBT ASK**

Model 385AHPFI

Material:
Head: Aluminum
Bowl: Aluminum
Internals: Nylon
Standard O-ring: Viton

Drain Type: 1/4" NPT
Maximum Temperature: 250°F
Maximum Pressure: 250 PSIG
Internal Volume: 1480 cc
Weight: 11 lbs

Drawn By & Date UFS0528V

THE COPYRIGHT OF THIS DRAWING IS RESERVED BY UNITED FILTRATION. IT IS ISSUED ON CONDITION THAT IT IS NOT COPIED, REPRODUCED OR DISCLOSED TO A THIRD PART EITHER WHOLLY, OR IN PART WITHOUT CONSENT IN WRITING.