

**Model: 380AHPVDI-241 (3/4" or 1" NPT)**

**Replacement Parts List**

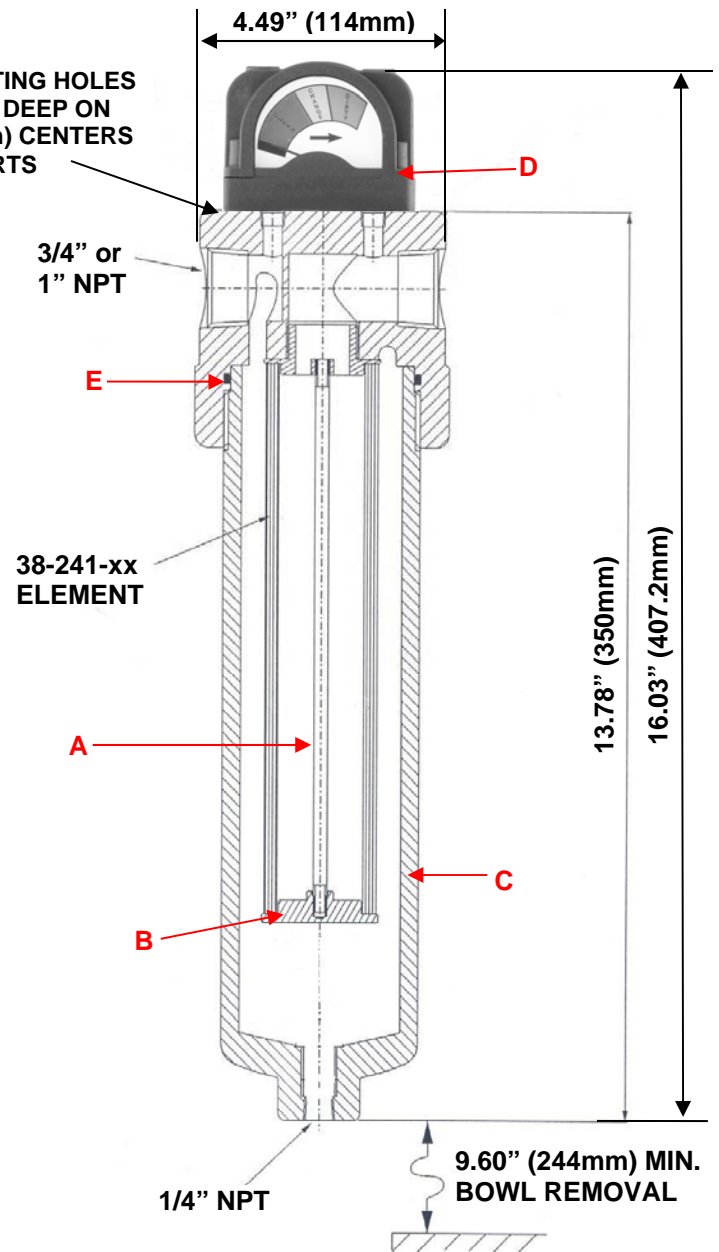
38-241-xx	Disposable Filter Element
SS-38-241-xx	Stainless Steel Filter Element
PT-38-241-xx	PTFE Filter Element
PEL-38-241-xx	PEL Filter Element
TR380AHP-241	Metal Tie Rod (A)
ER380AHP-241	Element Retainer (B)
AB380AHP-241	Aluminum Bowl (C)
SC380AHP-241	Support Core (Not Pictured)
MB380VDI	Mounting Bracket (Not Pictured)
VDI300	Visual Differential Indicator (D)

Oxygen Cleaning Service Available  
 Note – Please replace "xx" with micron rating or grade


**Available O-Rings**

BN380	Buna-N (Standard) (E)
GV380	Viton
KZ380	Kalrez
GS380	Silicone

2 OFF MOUNTING HOLES  
 M10-1.50 x 25 DEEP ON  
 2.50" (63.5mm) CENTERS  
 @ 90° TO PORTS



9.60" (244mm) MIN.  
 BOWL REMOVAL



United Filtration Systems, Inc.  
 6558 Diplomat Drive  
 Sterling Heights, MI 48314  
 1-800-311-5561  
[www.unitedfiltration.com](http://www.unitedfiltration.com)

**DO NOT SCALE DRAWING  
 IF IN DOUBT ASK**

**Model 380AHPVDI-241 (3/4" or 1" NPT)**

<p><b>Material:</b>                  Head: Anodized Aluminum                  Bowl: Anodized Aluminum                  Internals: Metal                  Standard O-ring: Buna-N</p>	<p><b>Drain Type:</b> 1/4" NPT  <b>Maximum Temperature:</b> 250°F  <b>Maximum Pressure:</b> 250 PSIG  <b>Internal Volume:</b> 955 cc  <b>Weight:</b> 8 lbs.</p>
<p><b>Drawn By &amp; Date</b> UFS0111Y</p>	

THE COPYRIGHT OF THIS DRAWING IS RESERVED BY UNITED FILTRATION. IT IS ISSUED ON CONDITION THAT IT IS NOT COPIED, REPRODUCED OR DISCLOSED TO A THIRD PART EITHER WHOLLY, OR IN PART WITHOUT CONSENT IN WRITING.