

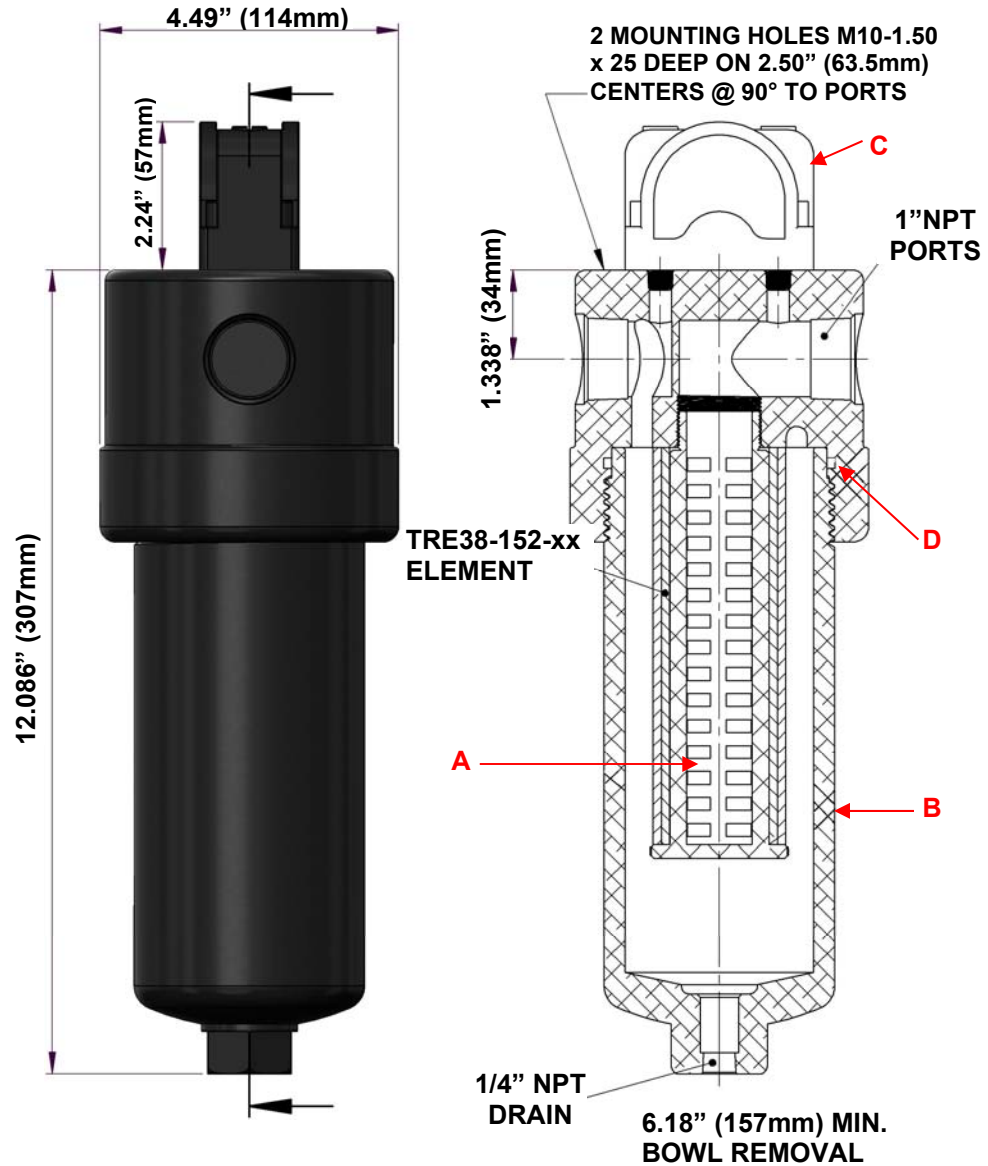
**Model: 380AHPVDI (1" NPT)**


**Replacement Parts List**

TRE38-152-xx	Microfiber Filter Element with Integral Support
SS-38-152-xx	Stainless Steel Filter Element Comes Standard with Teflon Seals "T" Add "V" for optional Viton Seals when Ordering
PT-38-152-xx	PTFE Filter Element
PEL-38-152-xx	PEL Filter Element
TR380	Nylon Tie Rod w/ Element Retainer (A)
AB380AHP	Aluminum Bowl (B)
SC380	Support Core (Not Pictured)
MB380VDI	Mounting Bracket (Not Pictured)
300VDI	Visual Differential Indicator (C)
Oxygen Cleaning Service Available Note – Please replace "xx" with micron rating or grade	
<b>Available O-Rings</b>	
BN380AHP	Buna-N (Standard) (D)
GV380AHP	Viton
KZ380AHP	Kalrez
GS380AHP	Silicone



The Visual Differential Indicator is designated as "VDI" and is designed as a colored gauge with set points from 0 to 5 PSIG in the green range, 6 to 9 in the yellow range, and 10 to 14 PSIG in the red range.



 <p>United Filtration Systems, Inc. 6558 Diplomat Drive Sterling Heights, MI 48314 1-800-311-5561 <a href="http://www.unitedfiltration.com">www.unitedfiltration.com</a></p>	<b>Model 380AHPVDI (1" NPT)</b>		<p>THE COPYRIGHT OF THIS DRAWING IS RESERVED BY UNITED FILTRATION. IT IS ISSUED ON CONDITION THAT IT IS NOT COPIED, REPRODUCED OR DISCLOSED TO A THIRD PART EITHER WHOLLY, OR IN PART WITHOUT CONSENT IN WRITING.</p>
	<p><b>DO NOT SCALE DRAWING IF IN DOUBT ASK</b></p>	<p><b>Material:</b> Head: Aluminum Bowl: Aluminum Internals: Nylon Standard O-ring: Buna-N</p>	
		<p><b>Drawn By &amp; Date</b> UFS1123Y</p>	