

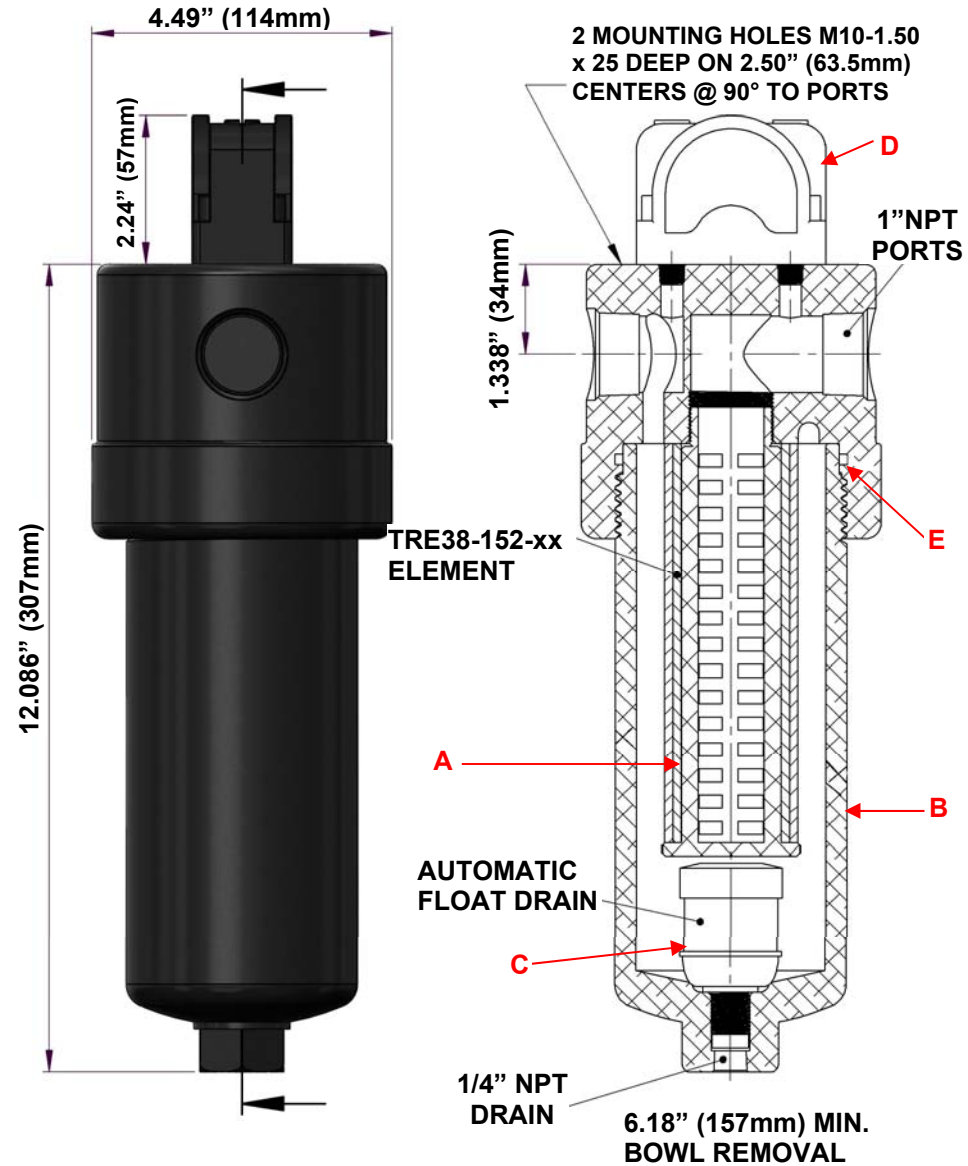
Model: 380AHPFVDI (1" NPT)


Replacement Parts List

TRE38-152-xx	Microfiber Filter Element with Integral Support
SS-38-152-xx	Stainless Steel Filter Element Comes Standard with Teflon Seals "T" Add "V" for optional Viton Seals when Ordering
PT-38-152-xx	PTFE Filter Element
PEL-38-152-xx	PEL Filter Element
TR380	Nylon Tie Rod w/ Element Retainer (A)
AB380AHP	Aluminum Bowl (B)
SC380	Support Core (Not Pictured)
FD300	Float Drain (C)
MB380VDI	Mounting Bracket (Not Pictured)
300VDI	Visual Differential Indicator (D)
Oxygen Cleaning Service Available Note – Please replace "xx" with micron rating or grade	
Available O-Rings	
BN380AHP	Buna-N (Standard) (E)
GV380AHP	Viton
KZ380AHP	Kalrez
GS380AHP	Silicone



The Visual Differential Indicator is designated as "VDI" and is designed as a colored gauge with set points from 0 to 5 PSIG in the green range, 6 to 9 in the yellow range, and 10 to 14 PSIG in the red range.



 <p>United Filtration Systems, Inc. 6558 Diplomat Drive Sterling Heights, MI 48314 1-800-311-5561 www.unitedfiltration.com</p>	Model 380AHPFVDI (1" NPT)		THE COPYRIGHT OF THIS DRAWING IS RESERVED BY UNITED FILTRATION. IT IS ISSUED ON CONDITION THAT IT IS NOT COPIED, REPRODUCED OR DISCLOSED TO A THIRD PART EITHER WHOLLY, OR IN PART WITHOUT CONSENT IN WRITING.
	Material: Head: Aluminum Bowl: Aluminum Internals: Nylon Standard O-ring: Buna-N	Drain Type: Automatic Maximum Temperature: 250°F Maximum Pressure: 250 PSIG Internal Volume: 655 cc Weight: 8 lbs.	

**DO NOT SCALE DRAWING
IF IN DOUBT ASK**