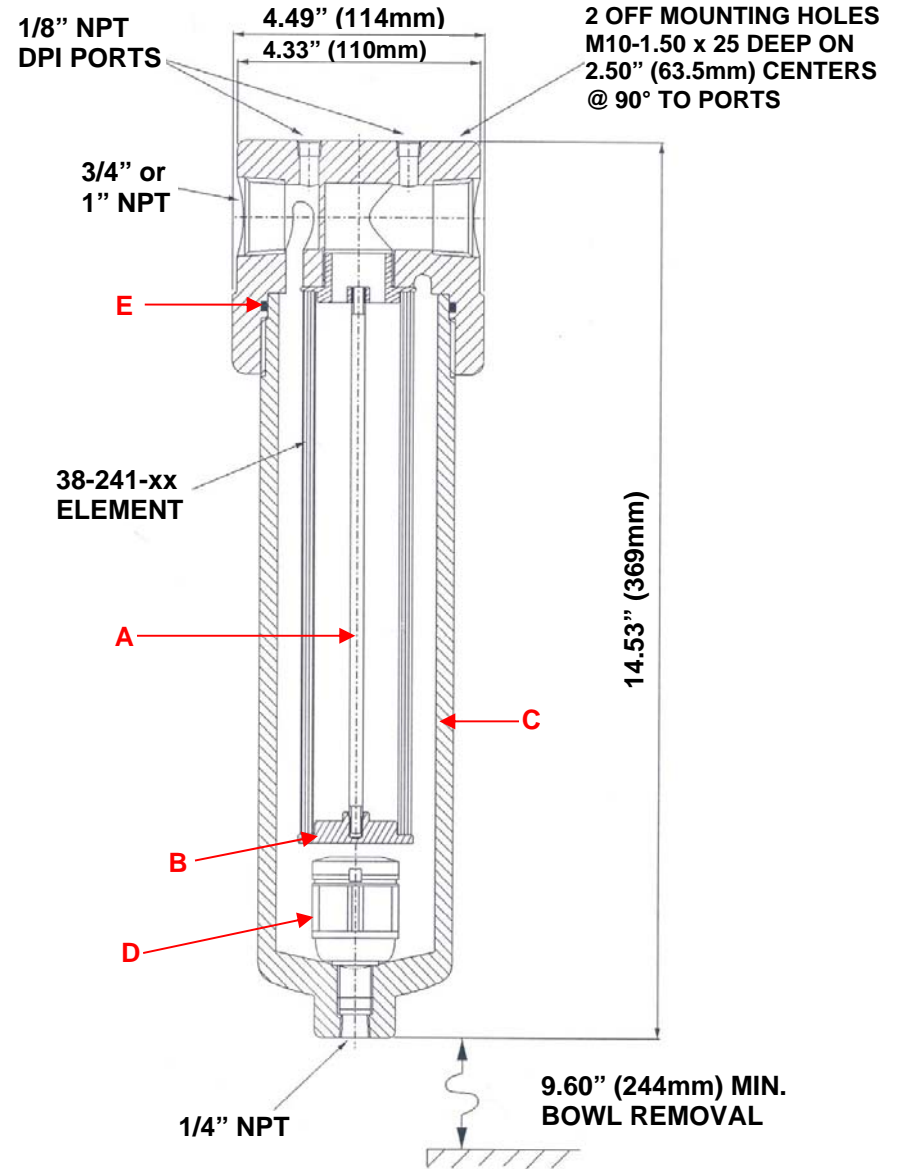



Model: 380AHPF-241 (3/4" or 1" NPT)

Replacement Parts List	
38-241-xx	Disposable Filter Element
SS-38-241-xx	Stainless Steel Filter Element
PT-38-241-xx	PTFE Filter Element
PEL-38-241-xx	PEL Filter Element
TR380AHP-241	Metal Tie Rod (A)
ER380AHP-241	Element Retainer (B)
AB380AHP-241	Aluminum Bowl (C)
SC380AHP-241	Support Core (Not Pictured)
FD300	Float Drain (D)
MB380	Mounting Bracket (Not Pictured)
Oxygen Cleaning Service Available Note – Please replace "xx" with micron rating or grade	
Available O-Rings	
BN380	Buna-N (Standard) (E)
GV380	Viton
KZ380	Kalrez
GS380	Silicone



 <p>United Filtration Systems, Inc. 6558 Diplomat Drive Sterling Heights, MI 48314 1-800-311-5561 www.unitedfiltration.com</p> <p>DO NOT SCALE DRAWING IF IN DOUBT ASK</p>	<p>Model 380AHPF-241 (3/4" or 1" NPT)</p>		<p>THE COPYRIGHT OF THIS DRAWING IS RESERVED BY UNITED FILTRATION. IT IS ISSUED ON CONDITION THAT IT IS NOT COPIED, REPRODUCED OR DISCLOSED TO A THIRD PART EITHER WHOLLY, OR IN PART WITHOUT CONSENT IN WRITING.</p>
	<p>Material: Head: Anodized Aluminum Bowl: Anodized Aluminum Internals: Metal Standard O-ring: Buna-N</p>	<p>Drain Type: Automatic Maximum Temperature: 250°F Maximum Pressure: 250 PSIG Internal Volume: 935 cc Weight: 8 lbs.</p>	