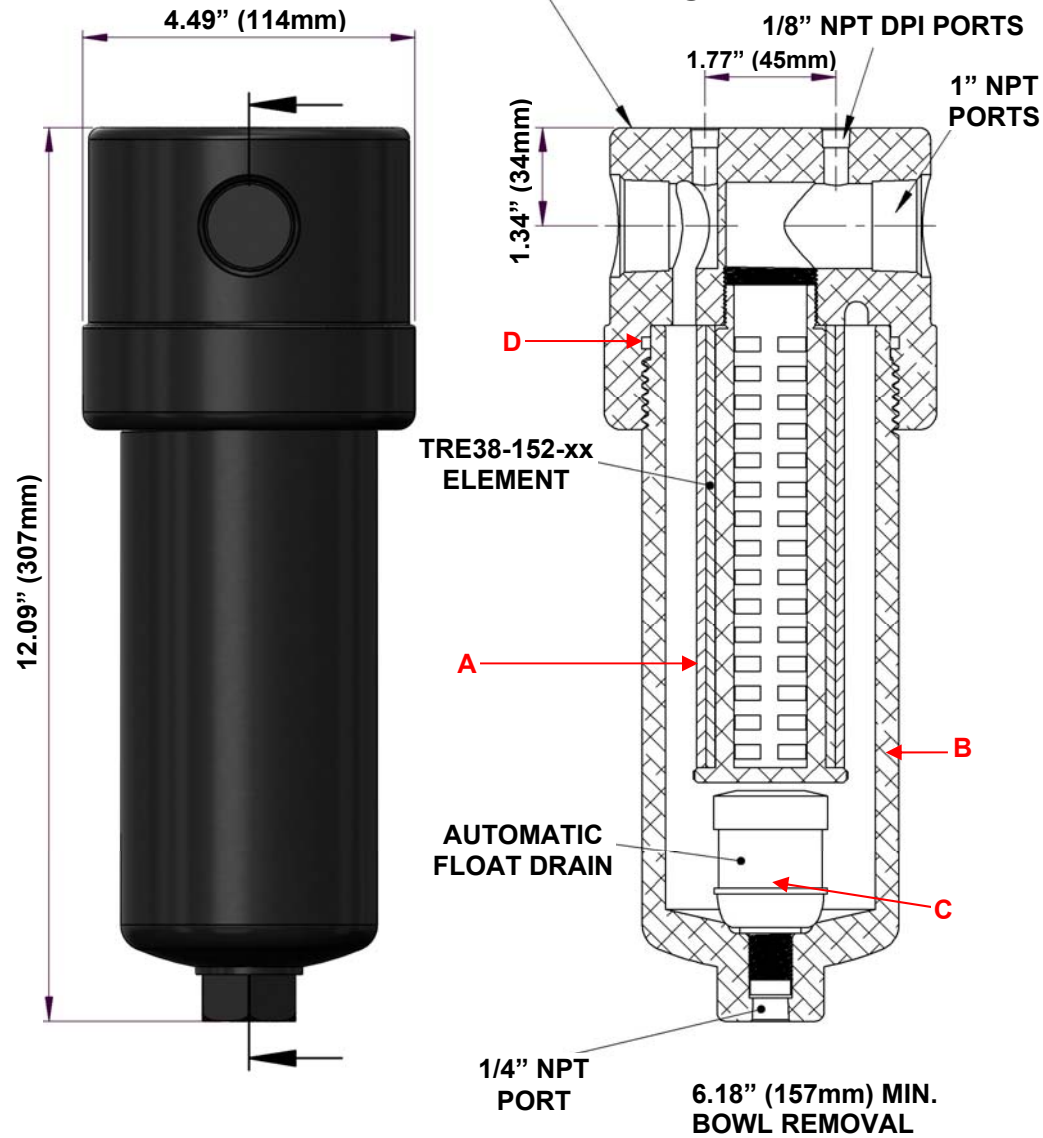



Model: 380AHPF (1" NPT)

Replacement Parts List

| | |
|---|--|
| TRE38-152-xx | Microfiber Filter Element with Integral Support |
| SS-38-152-xx | Stainless Steel Filter Element Comes Standard with Teflon Seals "T" Add "V" for optional Viton Seals when Ordering |
| PEL-38-152-xx | PEL Filter Element |
| TR380 | Nylon Tie Rod w/ Element Retainer (A) |
| AB380AHP | Aluminum Bowl (B) |
| SC380 | Support Core (Not Pictured) |
| FD300 | Float Drain (C) |
| MB380 | Mounting Bracket (Not Pictured) |
| Oxygen Cleaning Service Available Note – Please replace "xx" with micron rating or grade | |
| Available O-Rings | |
| BN380 | Buna-N (Standard) (D) |
| GV380 | Viton |
| KZ380 | Kalrez |
| GS380 | Silicone |



| | | | |
|--|--|--|---|
|  <p>United Filtration Systems, Inc. 6558 Diplomat Drive Sterling Heights, MI 48314 1-800-311-5561 www.unitedfiltration.com</p> <p>DO NOT SCALE DRAWING IF IN DOUBT ASK</p> | Model 380AHPF (1" NPT) | | <p>THE COPYRIGHT OF THIS DRAWING IS RESERVED BY UNITED FILTRATION. IT IS ISSUED ON CONDITION THAT IT IS NOT COPIED, REPRODUCED OR DISCLOSED TO A THIRD PART EITHER WHOLLY, OR IN PART WITHOUT CONSENT IN WRITING.</p> |
| | <p>Material: Head: Aluminum Bowl: Aluminum Internals: Nylon Standard O-ring: Buna-N</p> | <p>Drain Type: Automatic Maximum Temperature: 250°F Maximum Pressure: 250 PSIG Internal Volume: 655 cc Weight: 8 lbs.</p> | |