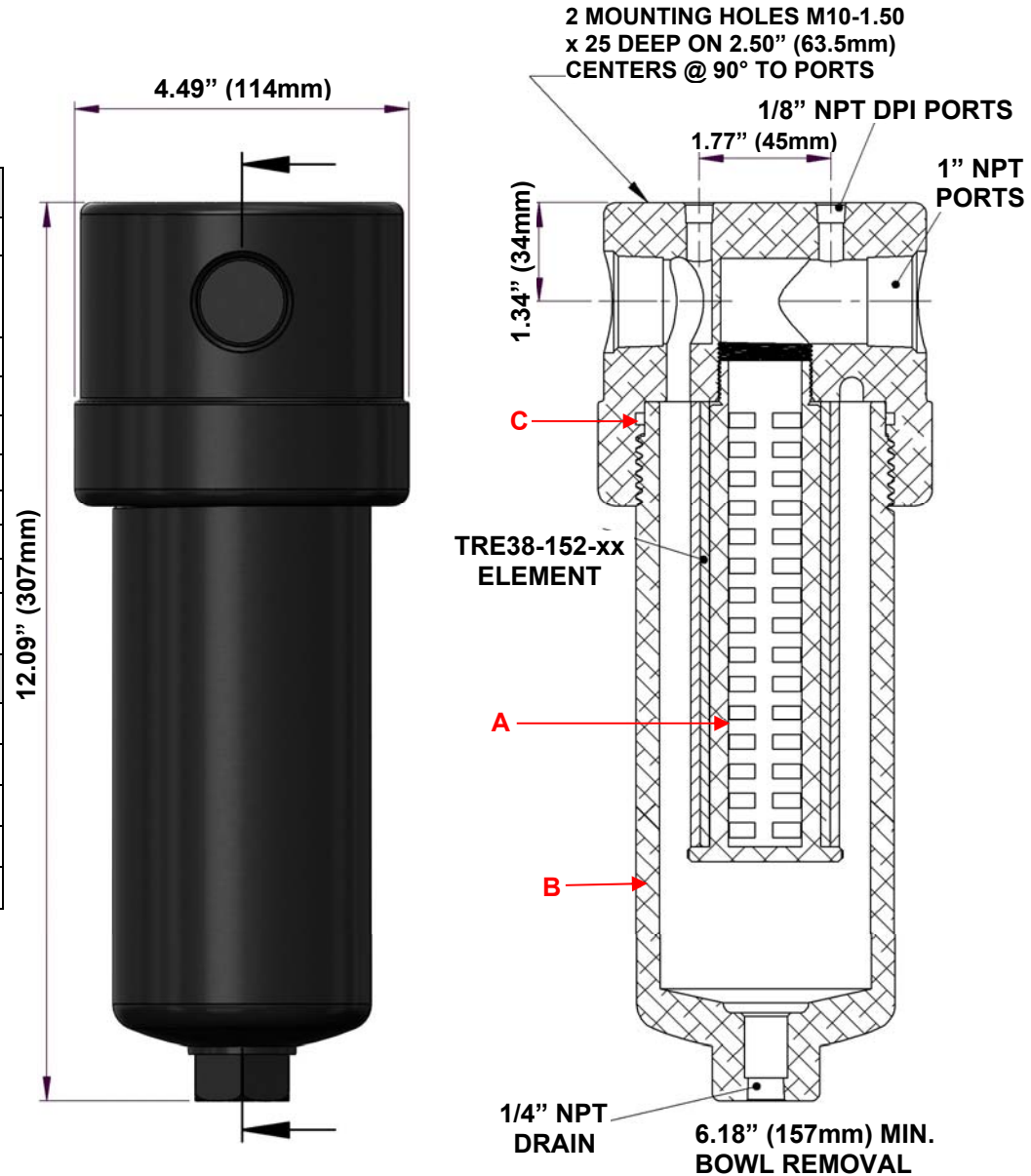



Model: 380AHP (1" NPT)

Replacement Parts List

TRE38-152-xx	Microfiber Filter Element with Integral Support
SS-38-152-xx	Stainless Steel Filter Element Comes Standard with Teflon Seals "T" Add "V" for optional Viton Seals when Ordering
PEL-38-152-xx	PEL Filter Element
TR380	Nylon Tie Rod w/ Element Retainer (A)
AB380AHP	Aluminum Bowl (B)
SC380	Support Core (Not Pictured)
MB380	Mounting Bracket (Not Pictured)
Oxygen Cleaning Service Available Note – Please replace "xx" with micron rating or grade	
Available O-Rings	
BN380	Buna-N (Standard) (C)
GV380	Viton
KZ380	Kalrez
GS380	Silicone



 **United Filtration Systems, Inc.**
6558 Diplomat Drive
Sterling Heights, MI 48314
1-800-311-5561
www.unitedfiltration.com

**DO NOT SCALE DRAWING
IF IN DOUBT ASK**

Model 380AHP (1" NPT)

<p>Material: Head: Aluminum Bowl: Aluminum Internals: Nylon Standard O-ring: Buna-N</p>	<p>Drain Type: Petcock or 1/4" NPT Maximum Temperature: 250°F Maximum Pressure: 1,500 PSIG Internal Volume: 675 cc Weight: 8 lbs.</p>
<p>Drawn By & Date UFS1003Y</p>	

THE COPYRIGHT OF THIS DRAWING IS RESERVED BY UNITED FILTRATION. IT IS ISSUED ON CONDITION THAT IT IS NOT COPIED, REPRODUCED OR DISCLOSED TO A THIRD PARTY EITHER WHOLLY, OR IN PART WITHOUT CONSENT IN WRITING.