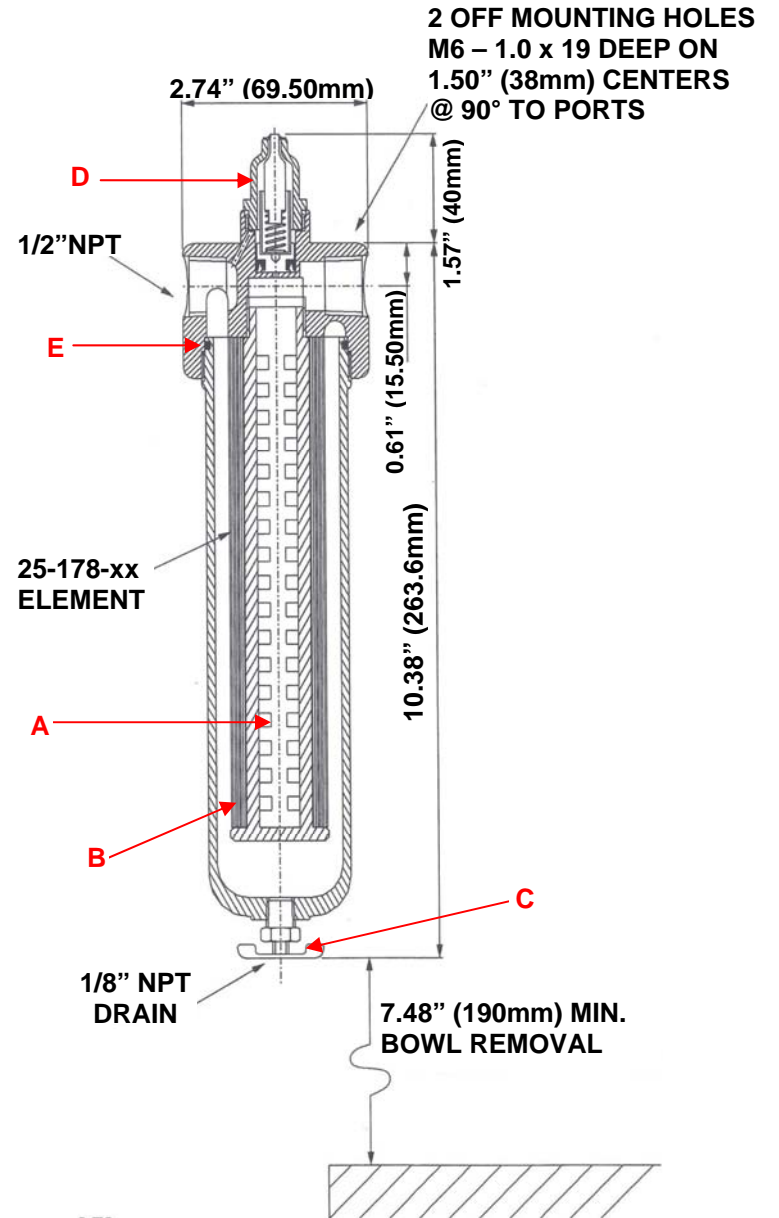



**Model: 370AI (1/2" NPT)**

**Replacement Parts List**

25-178-xx	Disposable Filter Element
SS-25-178-xx	Stainless Steel Filter Element
PT-25-178-xx	PTFE Filter Element
PEL-25-178-xx	PEL Filter Element
TR370	Tie Rod w/ Element Retainer (A)
AB370	Aluminum Bowl w/ O-Ring (B)
NB370	Nylon Bowl (Not Pictured)
PB370	Polycarbonate Bowl (Not Pictured)
MB360I	Mounting Bracket (Not Pictured)
PET300	Brass Manual Petcock (C)
DPB300	Differential Pressure Indicator (D)
HI360	Head Insert (Not Pictured)
BG360	Bowl Guard (Factory Installed) (Not Pictured)
Oxygen Cleaning Service Available Note – Please replace "xx" with micron rating or grade	
<b>Available O-Rings</b>	
BN370	Buna-N (Standard) (E)
GV370	Viton
KZ370	Kalrez
GS370	Silicone



 <p>United Filtration Systems, Inc. 6558 Diplomat Drive Sterling Heights, MI 48314 1-800-311-5561 <a href="http://www.unitedfiltration.com">www.unitedfiltration.com</a></p> <p><b>DO NOT SCALE DRAWING IF IN DOUBT ASK</b></p>	<b>Model 370AI</b>		<p>THE COPYRIGHT OF THIS DRAWING IS RESERVED BY UNITED FILTRATION. IT IS ISSUED ON CONDITION THAT IT IS NOT COPIED, REPRODUCED OR DISCLOSED TO A THIRD PART EITHER WHOLLY, OR IN PART WITHOUT CONSENT IN WRITING.</p>
	<p><b>Material:</b> Head: Anodized Aluminum Bowl: Anodized Aluminum Internals: Nylon Standard Gasket / O-ring: Buna-N</p>	<p><b>Drain Type:</b> Brass Petcock <b>Maximum Temperature:</b> 240°F <b>Maximum Pressure:</b> 250 PSIG <b>Internal Volume:</b> 315 cc <b>Weight:</b> 1.5 lbs.</p>	