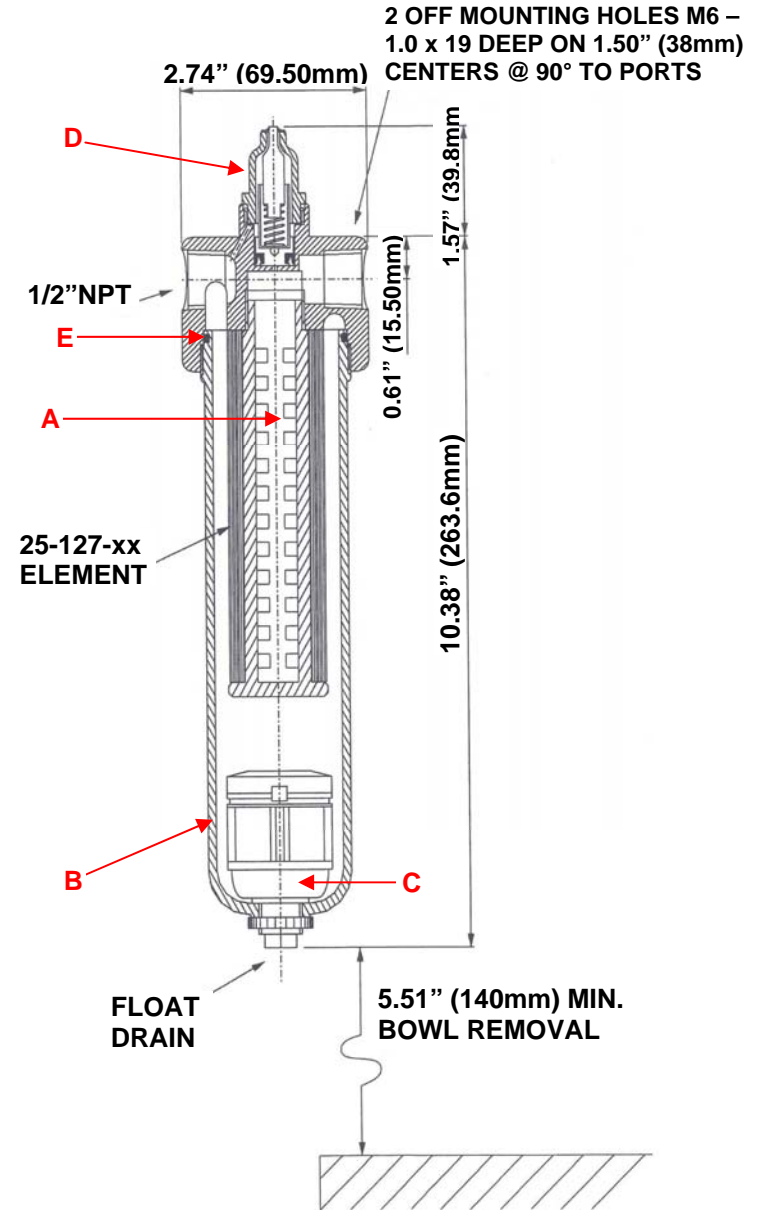



Model: 370AFI (1/2" NPT)

Replacement Parts List

25-127-xx	Disposable Filter Element
SS-25-127-xx	Stainless Steel Filter Element
PT-25-127-xx	PTFE Filter Element
PEL-25-127-xx	PEL Filter Element
TR370F	Tie Rod w/ Element Retainer (A)
AB370F	Aluminum Bowl w/ O-Ring (B)
NB370F	Nylon Bowl (Not Pictured)
PB370F	Polycarbonate Bowl (Not Pictured)
MB360I	Mounting Bracket (Not Pictured)
HI360	Head Insert (Not Pictured)
FD300	Float Drain (C)
DPB300	Differential Pressure Indicator (D)
Oxygen Cleaning Service Available Note – Please replace "xx" with micron rating or grade	
Available O-Rings	
BN360	Buna-N (Standard) (E)
GV360	Viton
KZ360	Kalrez
GS360	Silicone



 <p>United Filtration Systems, Inc. 6558 Diplomat Drive Sterling Heights, MI 48314 1-800-311-5561 www.unitedfiltration.com</p> <p>DO NOT SCALE DRAWING IF IN DOUBT ASK</p>	<h2>Model 370AFI</h2>		<p>THE COPYRIGHT OF THIS DRAWING IS RESERVED BY UNITED FILTRATION. IT IS ISSUED ON CONDITION THAT IT IS NOT COPIED, REPRODUCED OR DISCLOSED TO A THIRD PART EITHER WHOLLY, OR IN PART WITHOUT CONSENT IN WRITING.</p>
	<p>Material: Head: Anodized Aluminum Bowl: Anodized Aluminum Internals: Nylon Standard Gasket / O-ring: Buna-N</p>	<p>Drain Type: Automatic Float Drain Maximum Temperature: 240°F Maximum Pressure: 250 PSIG Internal Volume: 295 cc Weight: 2 lbs.</p>	