

Model: 360F (1/4" or 1/2" NPT)

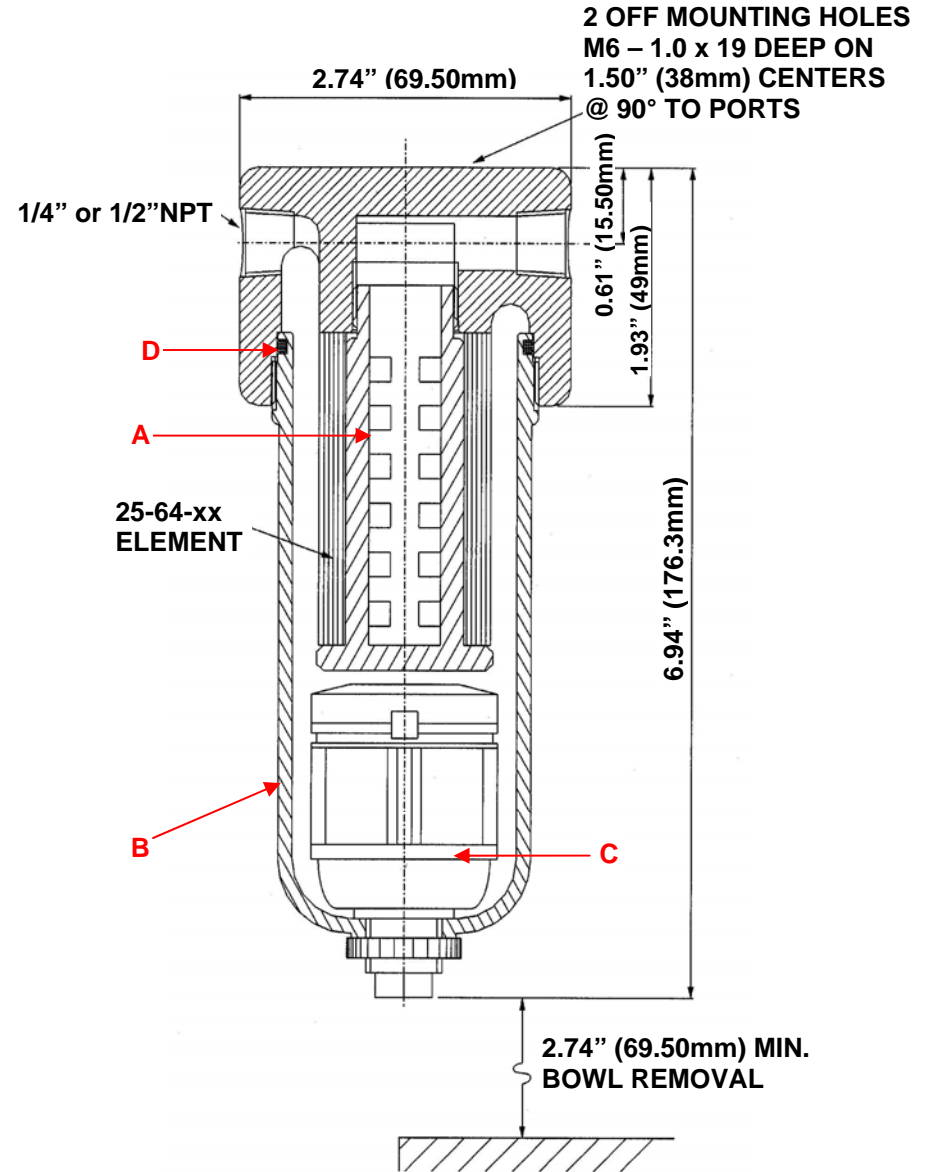
Replacement Parts List


25-64-xx	Disposable Filter Element
SS-25-64-xx	Stainless Steel Filter Element
PT-25-64-xx	PTFE Filter Element
PEL-25-64-xx	PEL Filter Element
TR360	Tie Rod w/ Element Retainer (A)
PB360F	Polycarbonate Bowl (B)
NB360F	Nylon Bowl (Not Pictured)
AB360F	Aluminum Bowl w/ O-Ring (Not Pictured)
MBSS360	Mounting Bracket (Not Pictured)
HI360	Head Insert (Not Pictured)
FD300	Float Drain (C)

Oxygen Cleaning Service Available
 Note – Please replace "xx" with micron rating or grade

Available O-Rings

BN360	Buna-N (Standard) (D)
GV360	Viton
KZ360	Kalrez
GS360	Silicone



 <p>United Filtration Systems, Inc. 6558 Diplomat Drive Sterling Heights, MI 48314 1-800-311-5561 www.unitedfiltration.com</p>	Model 360F		THE COPYRIGHT OF THIS DRAWING IS RESERVED BY UNITED FILTRATION. IT IS ISSUED ON CONDITION THAT IT IS NOT COPIED, REPRODUCED OR DISCLOSED TO A THIRD PART EITHER WHOLLY, OR IN PART WITHOUT CONSENT IN WRITING.
	<p>Material: Head: Anodized Aluminum Bowl: Polycarbonate Internals: Nylon Standard Gasket / O-ring: Buna-N</p>	<p>Drain Type: Automatic Float Drain Maximum Temperature: 120°F Maximum Pressure: 150 PSIG Internal Volume: 130 cc Weight: 1 lb.</p>	
<p>DO NOT SCALE DRAWING IF IN DOUBT ASK</p>			