

Model: 360AF (1/4" or 1/2" NPT)

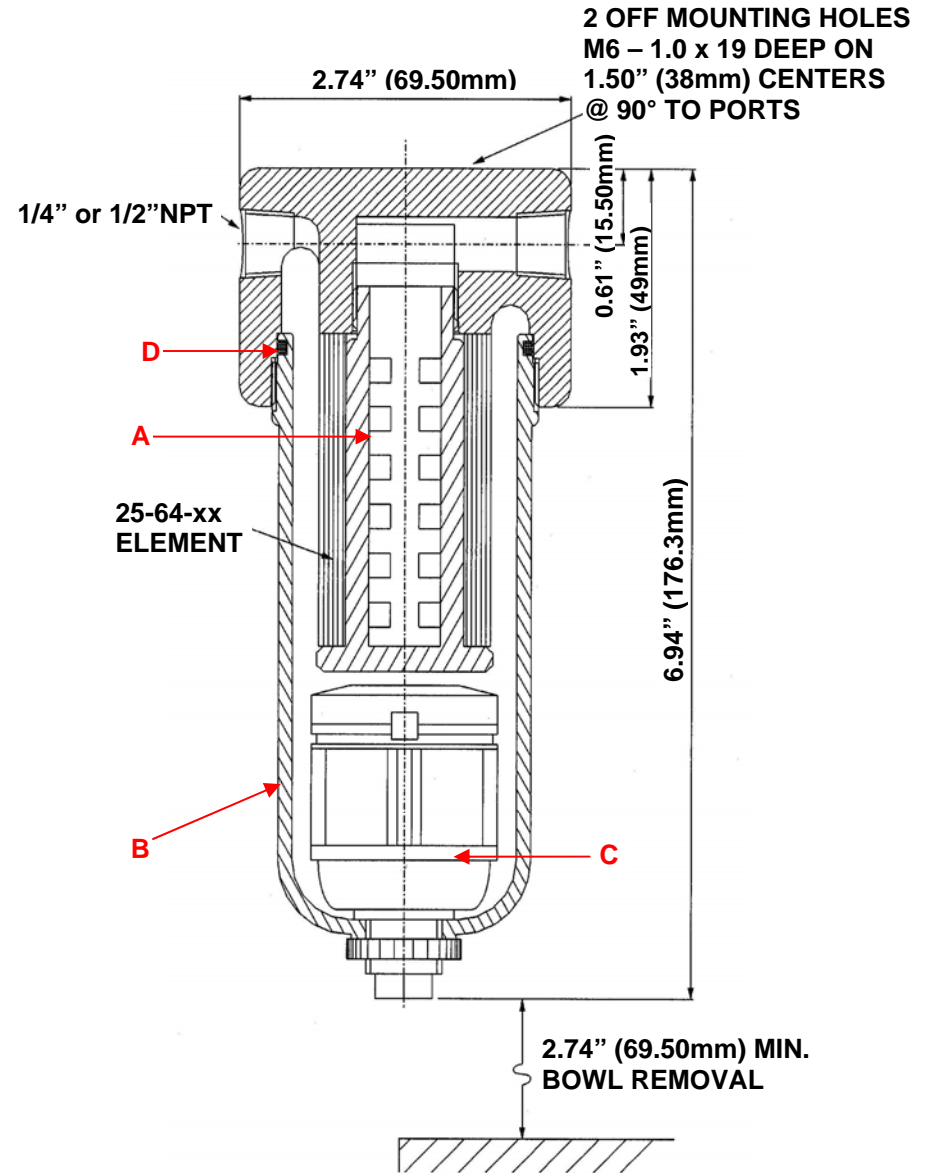
Replacement Parts List


25-64-xx	Disposable Filter Element
SS-25-64-xx	Stainless Steel Filter Element
PT-25-64-xx	PTFE Filter Element
PEL-25-64-xx	PEL Filter Element
TR360	Tie Rod w/ Element Retainer (A)
AB360F	Aluminum Bowl w/ O-Ring (B)
NB360F	Nylon Bowl (Not Pictured)
PB360F	Polycarbonate Bowl (Not Pictured)
MBSS360	Mounting Bracket (Not Pictured)
HI360	Head Insert (Not Pictured)
FD300	Float Drain (C)

Oxygen Cleaning Service Available
 Note – Please replace "xx" with micron rating or grade

Available O-Rings

BN360	Buna-N (Standard) (D)
GV360	Viton
KZ360	Kalrez
GS360	Silicone



 <p>United Filtration Systems, Inc. 6558 Diplomat Drive Sterling Heights, MI 48314 1-800-311-5561 www.unitedfiltration.com</p>	Model 360AF		THE COPYRIGHT OF THIS DRAWING IS RESERVED BY UNITED FILTRATION. IT IS ISSUED ON CONDITION THAT IT IS NOT COPIED, REPRODUCED OR DISCLOSED TO A THIRD PART EITHER WHOLLY, OR IN PART WITHOUT CONSENT IN WRITING.
	<p>Material: Head: Anodized Aluminum Bowl: Anodized Aluminum Internals: Nylon Standard Gasket / O-ring: Buna-N</p>	<p>Drain Type: Automatic Float Drain Maximum Temperature: 240°F Maximum Pressure: 250 PSIG Internal Volume: 145 cc Weight: 1.5 lbs.</p>	

**DO NOT SCALE DRAWING
 IF IN DOUBT ASK**