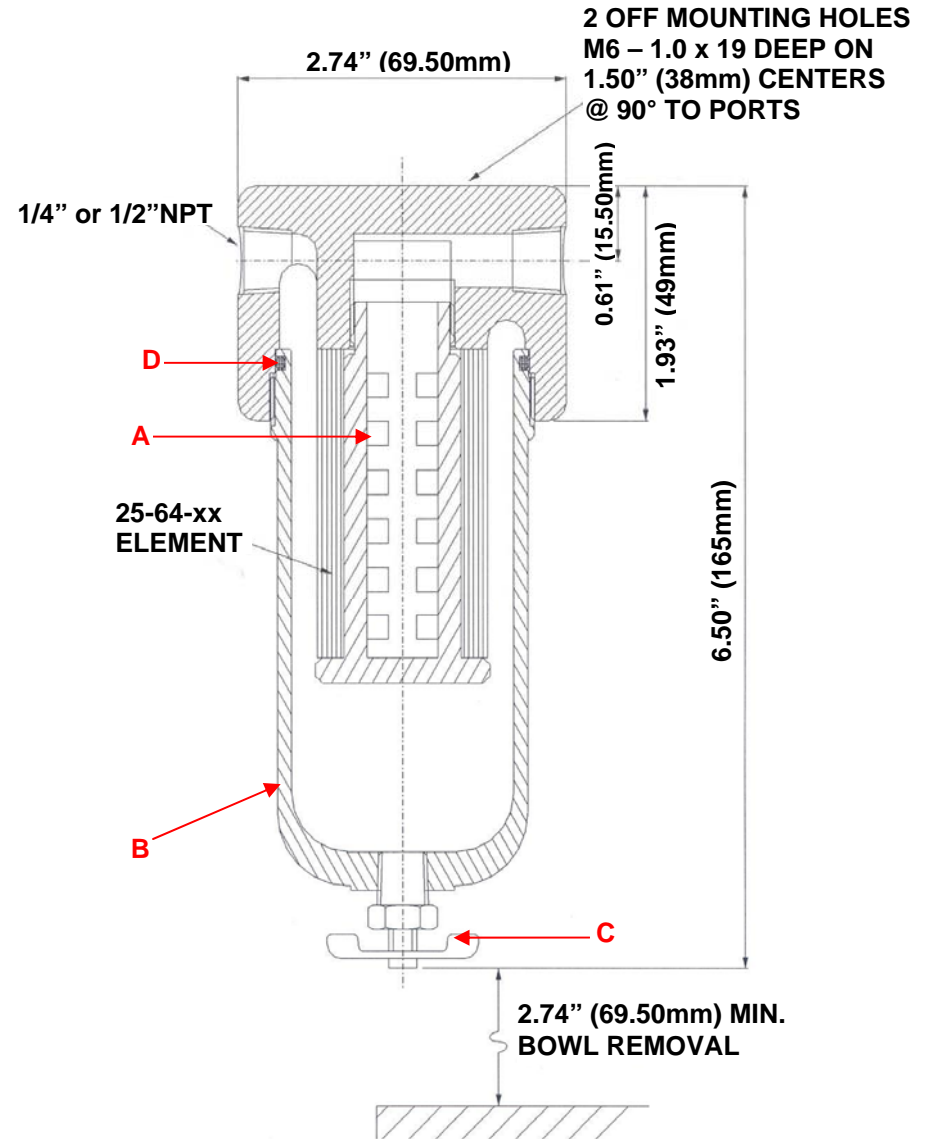



Model: 360A (1/4" or 1/2" NPT)

Replacement Parts List

| | |
|---|---|
| 25-64-xx | Disposable Filter Element |
| SS-25-64-xx | Stainless Steel Filter Element |
| PT-25-64-xx | PTFE Filter Element |
| PEL-25-64-xx | PEL Filter Element |
| TR360 | Tie Rod w/ Element Retainer (A) |
| AB360 | Aluminum Bowl w/ O-Ring (B) |
| NB360 | Nylon Bowl (Not Pictured) |
| PB360 | Polycarbonate Bowl (Not Pictured) |
| MBSS360 | Mounting Bracket (Not Pictured) |
| PET300 | Brass Manual Petcock (C) |
| BG360 | Bowl Guard (Factory Installed) (Not Pictured) |
| Oxygen Cleaning Service Available Note – Please replace "xx" with micron rating or grade | |
| Available O-Rings | |
| BN360 | Buna-N (Standard) (D) |
| GV360 | Viton |
| KZ360 | Kalrez |
| GS360 | Silicone |



| | | | |
|--|---|--|---|
|  <p>United Filtration Systems, Inc. 6558 Diplomat Drive Sterling Heights, MI 48314 1-800-311-5561 www.unitedfiltration.com</p> <p>DO NOT SCALE DRAWING IF IN DOUBT ASK</p> | Model 360A | | <p>THE COPYRIGHT OF THIS DRAWING IS RESERVED BY UNITED FILTRATION. IT IS ISSUED ON CONDITION THAT IT IS NOT COPIED, REPRODUCED OR DISCLOSED TO A THIRD PART EITHER WHOLLY, OR IN PART WITHOUT CONSENT IN WRITING.</p> |
| | <p>Material: Head: Anodized Aluminum Bowl: Anodized Aluminum Internals: Nylon Standard Gasket / O-ring: Buna-N</p> | <p>Drain Type: Brass Petcock Maximum Temperature: 240°F Maximum Pressure: 500 PSIG Internal Volume: 165 cc Weight: 1.5 lbs.</p> | |