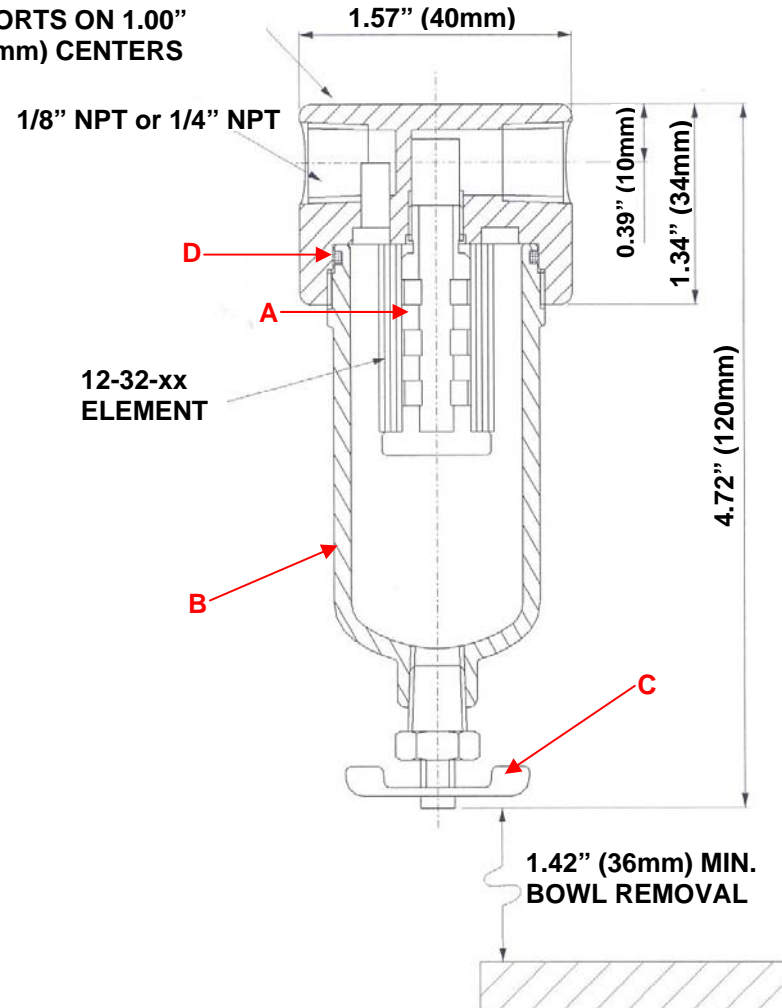



Model: 315A (1/8" or 1/4" NPT)

Replacement Parts List

12-32-xx	Disposable Filter Element
SS-12-32-xx	Stainless Steel Filter Element
PT-12-32-xx	PTFE Filter Element
PEL-12-32-xx	PEL Filter Element
TR315	Tie Rod w/ Element Retainer (A)
AB315	Aluminum Bowl (B)
NB315	Nylon Bowl (Not Pictured)
PB315	Polycarbonate Bowl (Not Pictured)
MB315	Mounting Bracket (Not Pictured)
PET300	Brass Manual Petcock (C)
Oxygen Cleaning Service Available Note – Please replace "xx" with micron rating or grade	
Available O-Rings	
BN315	Buna-N (Standard) (D)
GV315	Viton
KZ315	Kalrez
GS315	Silicone

**2 OFF MOUNTING HOLES
M5 - 0.8 x 12 DEEP @ 90°
TO PORTS ON 1.00"
(25.4mm) CENTERS**



 <p>United Filtration Systems, Inc. 6558 Diplomat Drive Sterling Heights, MI 48314 1-800-311-5561 www.unitedfiltration.com</p>	Model 315A		<p>THE COPYRIGHT OF THIS DRAWING IS RESERVED BY UNITED FILTRATION. IT IS ISSUED ON CONDITION THAT IT IS NOT COPIED, REPRODUCED OR DISCLOSED TO A THIRD PART EITHER WHOLLY, OR IN PART WITHOUT CONSENT IN WRITING.</p>
	<p>Material: Head: Anodized Aluminum Bowl: Anodized Aluminum Internals: Nylon Standard Gasket / O-ring: Buna-N</p>	<p>Drain Type: Brass Petcock Maximum Temperature: 240°F Maximum Pressure: 500 PSIG Internal Volume: 45 cc Weight: 0.5 lbs.</p>	
<p>DO NOT SCALE DRAWING IF IN DOUBT ASK</p>			