

Model: 162HHP (1" NPT)

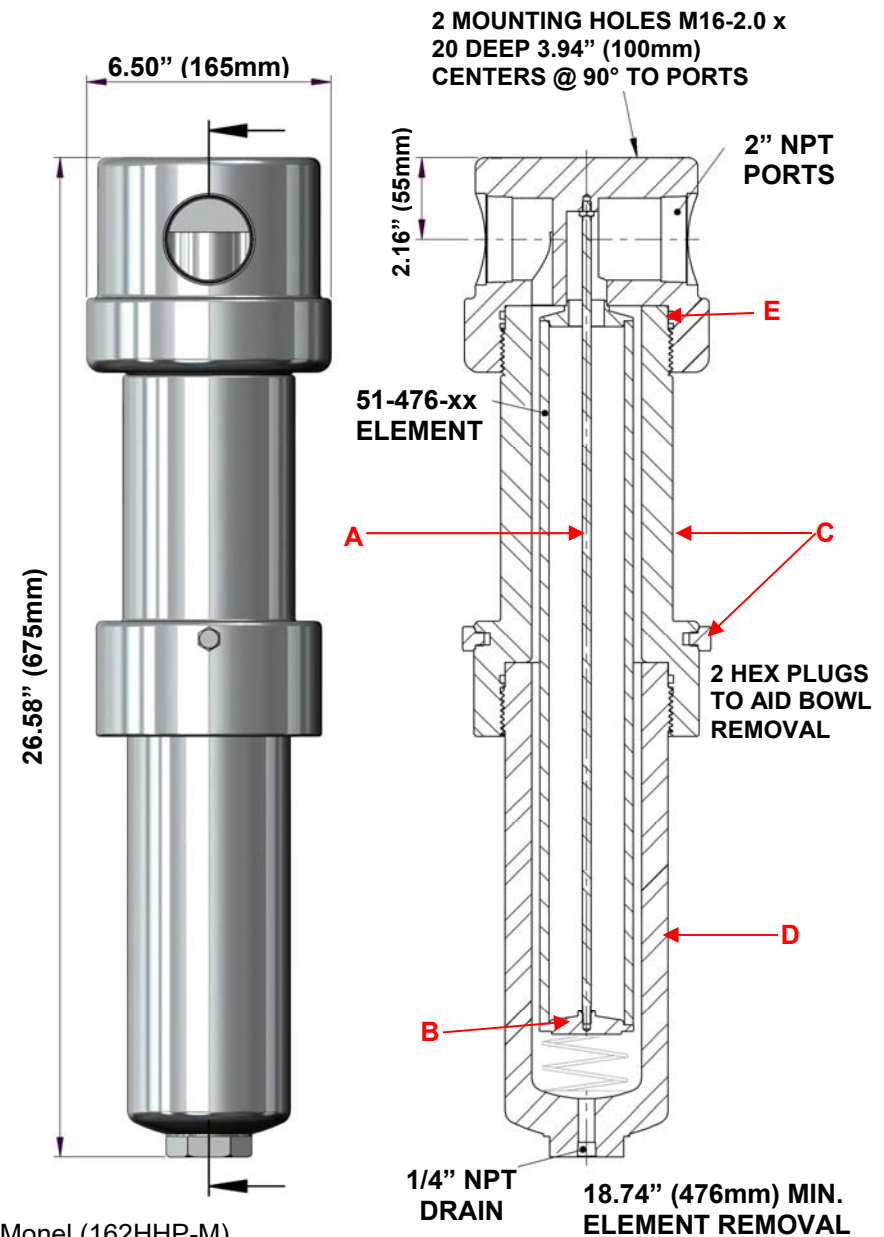
Replacement Parts List

51-476-xx	Disposable Filter Element
SS-51-476-xx	Stainless Steel Filter Element Comes Standard with Teflon Seals "T" Add "V" for optional Viton Seals when Ordering
51-476-xxPL-MG-RV	Pleated Micro-Glass Element
51-476-xxPL-SS-RV	Pleated Stainless Steel Element
TR160	Tie Rod (A)
ER150SL	Spring Loaded Element Retainer (B)
SC160	Support Core (Not Pictured)
EX160HHP	Extender (Includes 2 Bolts) (C)
SSB 160HHP	316L Stainless Steel Bowl (D)


Oxygen Cleaning Service Available
Note – Please replace "xx" with micron rating or grade

Available O-Rings

BN160HHP/2	Buna-N
GV160HHP/2	Viton (Standard) (E)
KZ160HHP/2	Kalrez
GS160HHP/2	Silicone
GE160HHP/2	EPDM



Please Note: Exotic Materials are available, for Hastelloy-C (162HHP-HC) and for Monel (162HHP-M).

 <p>United Filtration Systems, Inc. 6558 Diplomat Drive Sterling Heights, MI 48314 1-800-311-5561 www.unitedfiltration.com</p>	Model 162HHP		<p>THE COPYRIGHT OF THIS DRAWING IS RESERVED BY UNITED FILTRATION. IT IS ISSUED ON CONDITION THAT IT IS NOT COPIED, REPRODUCED OR DISCLOSED TO A THIRD PART EITHER WHOLLY, OR IN PART WITHOUT CONSENT IN WRITING.</p>
	<p>Material: Head: 316L Stainless Steel Bowl: 316L Stainless Steel Internals: 316L Stainless Steel Standard Gasket / O-ring: Viton</p>	<p>Drain Type: 1/4" NPT Maximum Temperature: 400°F Maximum Pressure: 6000 PSIG Internal Volume: 2700 cc Weight: 76 lbs.</p>	

**DO NOT SCALE DRAWING
IF IN DOUBT ASK**