

**Model: 160HHP (1" NPT)**

**Replacement Parts List**

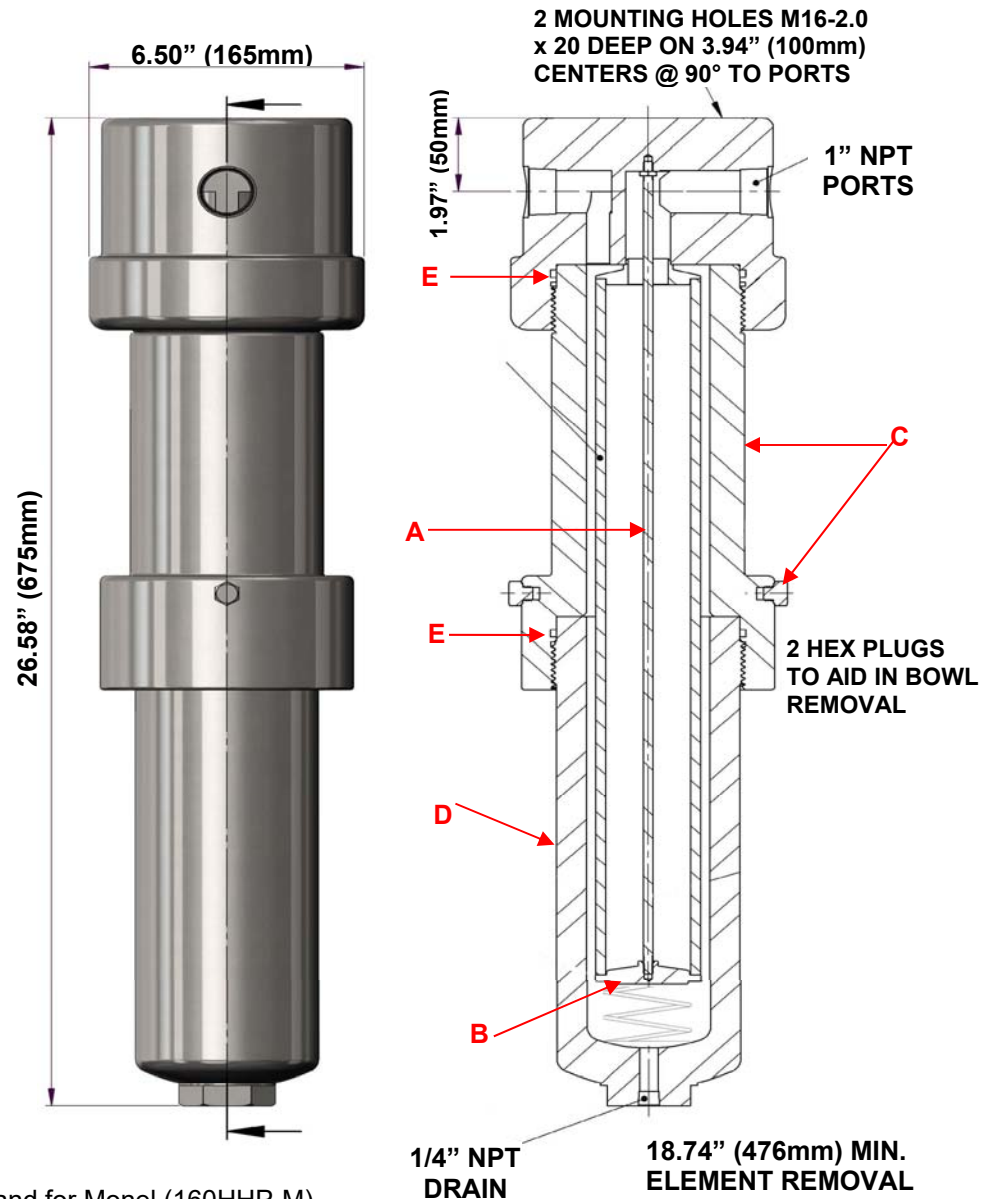
51-476-xx	Disposable Filter Element
SS-51-476-xx	Stainless Steel Filter Element Comes Standard with Teflon Seals "T" Add "V" for optional Viton Seals when Ordering
51-476-xxPL-MG-RV	Pleated Micro-Glass Element
51-476-xxPL-SS-RV	Pleated Stainless Steel Element
TR160	Tie Rod (A)
ER150SL	Spring Loaded Element Retainer (B)
SC160	Support Core (Not Pictured)
EX160HHP	Extender (Includes 2 Bolts) (C)
SSB 160HHP	316L Stainless Steel Bowl (D)


Oxygen Cleaning Service Available  
Note – Please replace "xx" with micron rating or grade

**Available O-Rings**

BN160HHP/2	Buna-N
GV160HHP/2	Viton (Standard) (E)
KZ160HHP/2	Kalrez
GS160HHP/2	Silicone
GE160HHP/2	EPDM

Please Note: Exotic Materials are available, for Hastelloy-C (160HHP-HC) and for Monel (160HHP-M).



 <p><b>United Filtration Systems, Inc.</b> 6558 Diplomat Drive Sterling Heights, MI 48314 1-800-311-5561 <a href="http://www.unitedfiltration.com">www.unitedfiltration.com</a></p>	<b>Model 160HHP</b>		<p>THE COPYRIGHT OF THIS DRAWING IS RESERVED BY UNITED FILTRATION. IT IS ISSUED ON CONDITION THAT IT IS NOT COPIED, REPRODUCED OR DISCLOSED TO A THIRD PART EITHER WHOLLY, OR IN PART WITHOUT CONSENT IN WRITING.</p>
	<p><b>Material:</b> Head: 316L Stainless Steel Bowl: 316L Stainless Steel Internals: 316L Stainless Steel Standard Gasket / O-ring: Viton</p>	<p><b>Drain Type:</b> 1/4" NPT <b>Maximum Temperature:</b> 400°F <b>Maximum Pressure:</b> 6000 PSIG <b>Internal Volume:</b> 2700 cc <b>Weight:</b> 76 lbs.</p>	
<p><b>DO NOT SCALE DRAWING IF IN DOUBT ASK</b></p>	<p><b>Drawn By &amp; Date</b> UFS0928Y</p>		