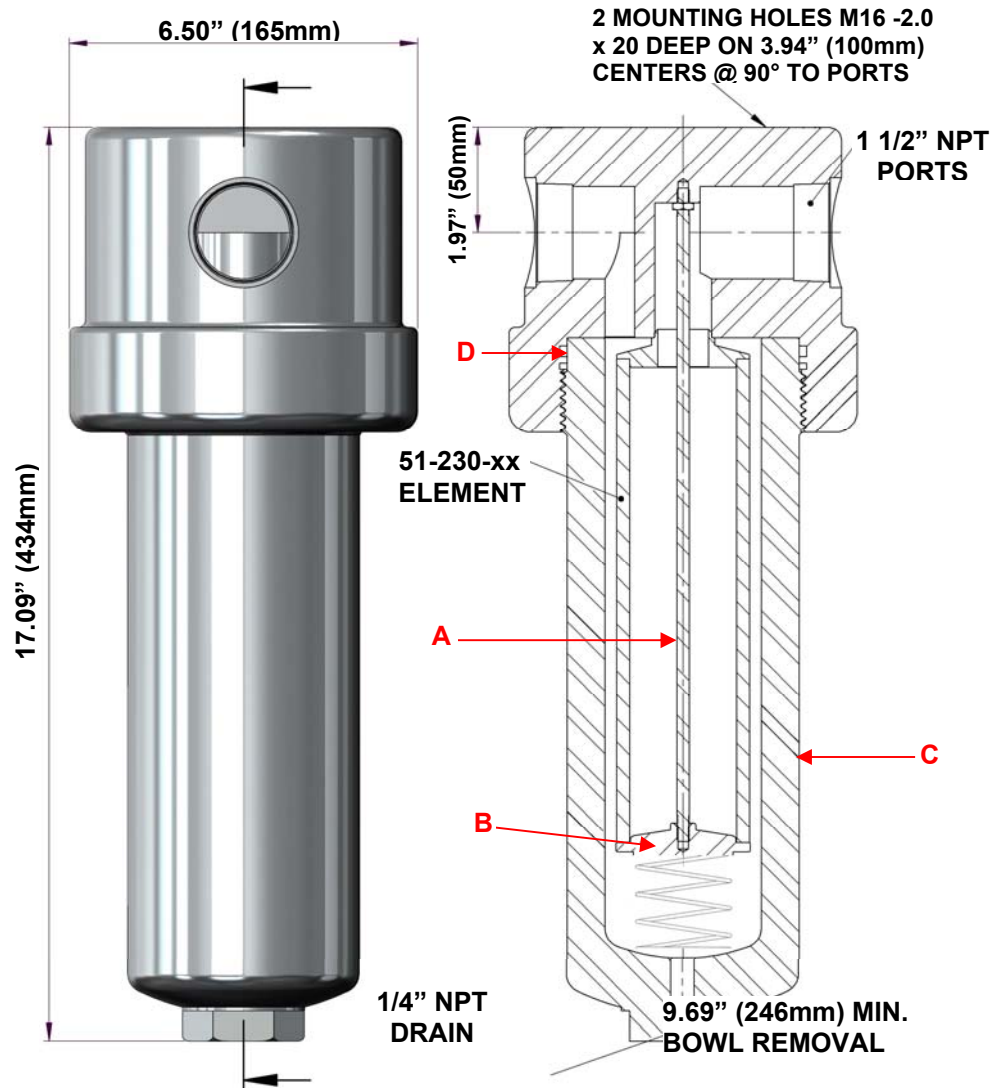



**Model: 151HHP (1 1/2" NPT)**

**Replacement Parts List**

51-230-xx	Disposable Filter Element
SS-51-230-xx	Stainless Steel Filter Element Comes Standard with Teflon Seals "T" Add "V" for optional Viton Seals when Ordering
51-230-xxPL-MG-RV	Pleated Micro-Glass Element
51-230-xxPL-SS-RV	Pleated Stainless Steel Element
TR150HHP	Tie Rod (A)
ER150SL	Spring Loaded Element Retainer (B)
SC150	Support Core (Not Pictured)
SSB 150HHP	316L Stainless Steel Bowl (C)
Oxygen Cleaning Service Available Note – Please replace "xx" with micron rating or grade	
<b>Available O-Rings</b>	
BN150HHP	Buna-N
GV150HHP	Viton (Standard) (D)
KZ150HHP	Kalrez
GS150HHP	Silicone
GE150HHP	EPDM



Please Note: Exotic Materials are available, for Hastelloy-C (151HHP-HC) and for Monel (151HHP-M).

 <p><b>United Filtration Systems, Inc.</b> 6558 Diplomat Drive Sterling Heights, MI 48314 1-800-311-5561 <a href="http://www.unitedfiltration.com">www.unitedfiltration.com</a></p>	<b>Model 151HHP</b>		<p>THE COPYRIGHT OF THIS DRAWING IS RESERVED BY UNITED FILTRATION. IT IS ISSUED ON CONDITION THAT IT IS NOT COPIED, REPRODUCED OR DISCLOSED TO A THIRD PART EITHER WHOLLY, OR IN PART WITHOUT CONSENT IN WRITING.</p>
	<p><b>Material:</b> Head: 316L Stainless Steel Bowl: 316L Stainless Steel Internals: 316L Stainless Steel Standard Gasket / O-ring: Viton</p>	<p><b>Drain Type:</b> 1/4" NPT <b>Maximum Temperature:</b> 400°F <b>Maximum Pressure:</b> 6000 PSIG <b>Internal Volume:</b> 1500 cc <b>Weight:</b> 46 lbs.</p>	
<p><b>DO NOT SCALE DRAWING IF IN DOUBT ASK</b></p>			