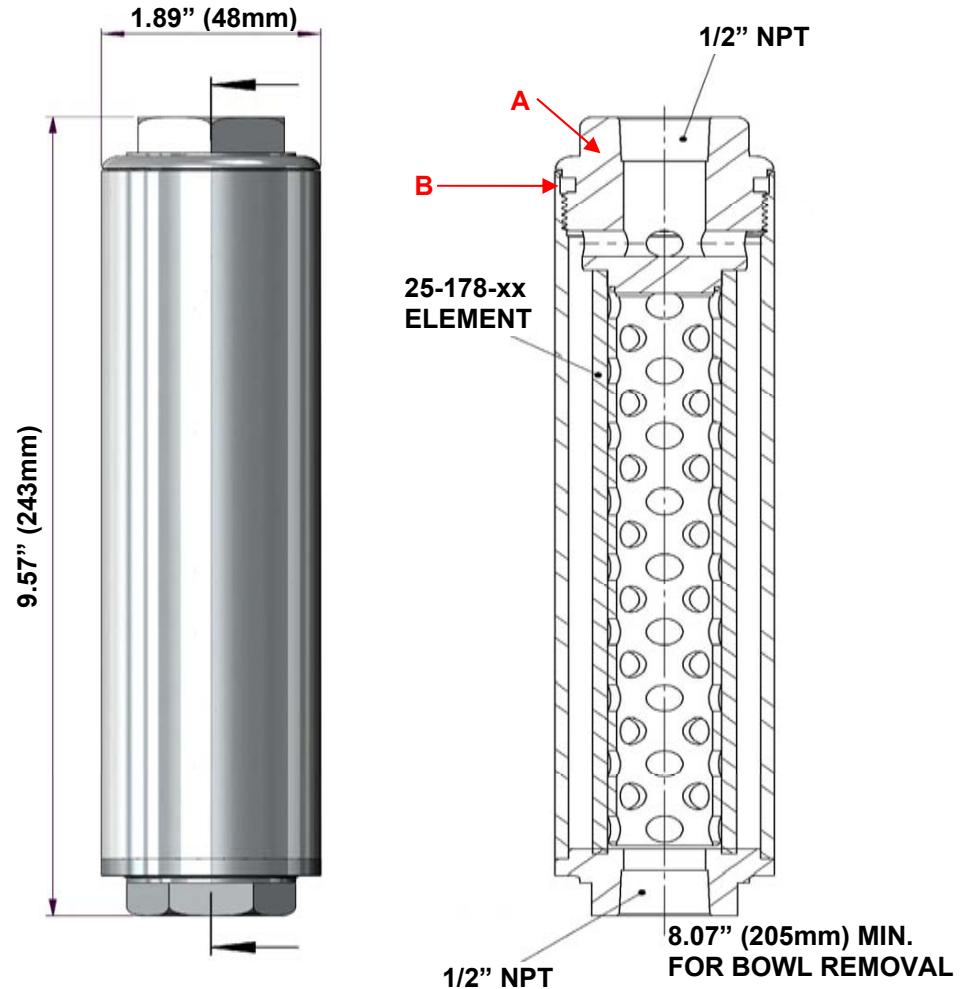



**Model: 146IL (1/2" NPT)**

Replacement Parts List	
25-178-xx	Disposable Filter Element
SS-25-178-xx	Stainless Steel Filter Element Comes Standard with Teflon Seals "T"
PT-25-178-xx	PTFE Filter Element
PEL-25-178-xx	PEL Filter Element
EC146IL	Stainless Steel End Cap (A)
Oxygen Cleaning Service Available Note – Please replace "xx" with micron rating or grade	
Available O-Rings	
BN136IL-3	Buna-N
GV136IL-3	Viton (Standard) (B)
KZ136IL-3	Kalrez
GS136IL-3	Silicone
PTFE Seal not available - Do to design	



Please Note: Exotic Materials are available, for Hastelloy-C (146IL-HC) and for Monel (146IL-M).

 <p><b>United Filtration Systems, Inc.</b> 6558 Diplomat Drive Sterling Heights, MI 48314 1-800-311-5561 <a href="http://www.unitedfiltration.com">www.unitedfiltration.com</a></p>	<b>Model 146IL</b>		<p>THE COPYRIGHT OF THIS DRAWING IS RESERVED BY UNITED FILTRATION. IT IS ISSUED ON CONDITION THAT IT IS NOT COPIED, REPRODUCED OR DISCLOSED TO A THIRD PART EITHER WHOLLY, OR IN PART WITHOUT CONSENT IN WRITING.</p>
	<p><b>Material:</b> Head: 316L Stainless Steel Bowl: 316L Stainless Steel Internals: 316L Stainless Steel Standard Gasket / O-ring: Viton</p>	<p><b>Bottom Port: 1/2"</b> <b>Maximum Temperature:</b> 400°F <b>Maximum Pressure:</b> 1500 PSIG <b>Internal Volume:</b> 260 cc <b>Weight:</b> 3 lbs.</p>	
<p><b>DO NOT SCALE DRAWING IF IN DOUBT ASK</b></p>			