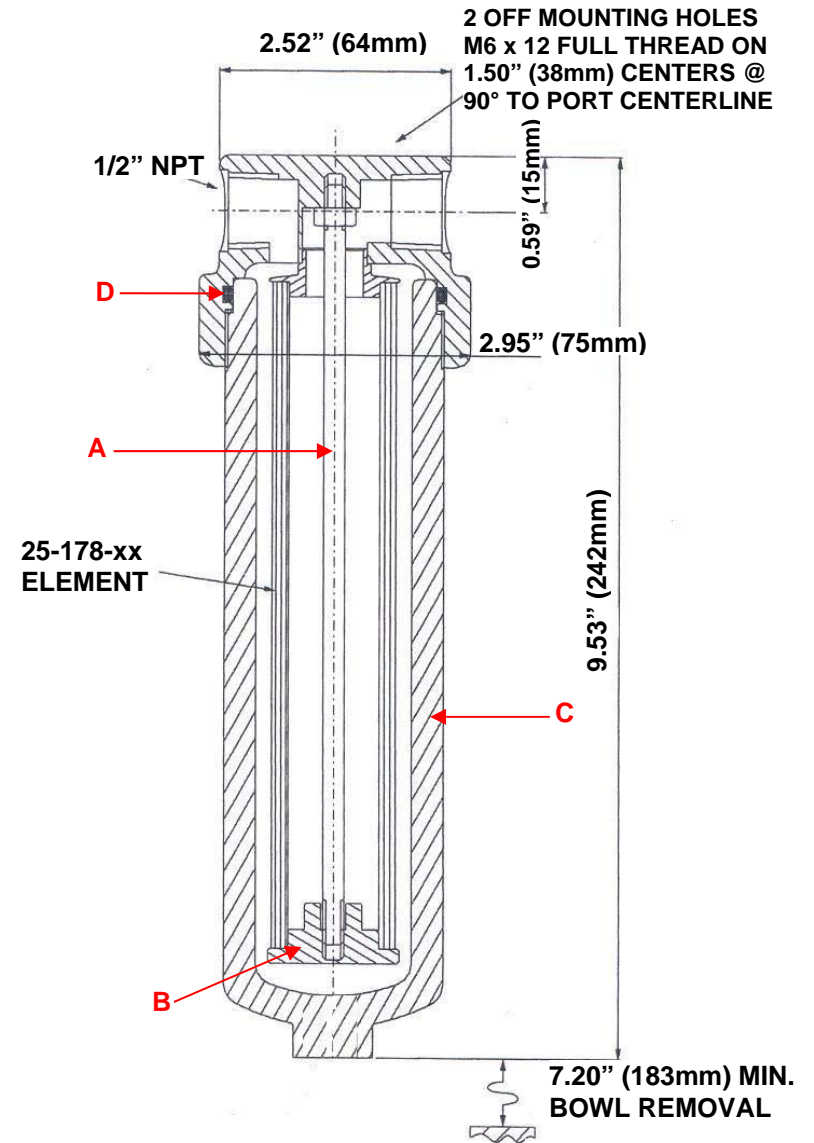



**Model: 146HP (1/2" NPT)**

**Replacement Parts List**

25-178-xx	Disposable Filter Element
SS-25-178-xx	Stainless Steel Filter Element
PT-25-178-xx	PTFE Filter Element
PEL-25-178-xx	PEL Filter Element
TR140	Tie Rod (A)
ER130	Element Retainer (B)
SC140	Support Core (Not Pictured)
SSB 144HP	316L Stainless Steel Bowl (C)
MBSS130	Mounting Bracket (Not Pictured)
Oxygen Cleaning Service Available Note – Please replace "xx" with micron rating or grade	
<b>Available O-Rings</b>	
BN130HP	Buna-N
GV130HP	Viton (Standard) (D)
KZ130HP	Kalrez
GS130HP	Silicone



Please Note: Exotic Materials are available, for Hastelloy-C (146HP-HC) and for Monel (146HP-M).

 <p>United Filtration Systems, Inc. 6558 Diplomat Drive Sterling Heights, MI 48314 1-800-311-5561 <a href="http://www.unitedfiltration.com">www.unitedfiltration.com</a></p>	<b>Model 146HP</b>		<p>THE COPYRIGHT OF THIS DRAWING IS RESERVED BY UNITED FILTRATION. IT IS ISSUED ON CONDITION THAT IT IS NOT COPIED, REPRODUCED OR DISCLOSED TO A THIRD PART EITHER WHOLLY, OR IN PART WITHOUT CONSENT IN WRITING.</p>
	<p><b>Material:</b> Head: 316L Stainless Steel Bowl: 316L Stainless Steel Internals: 316L Stainless Steel Standard Gasket / O-ring: Viton</p>	<p><b>Drain Type:</b> NONE <b>Maximum Temperature:</b> 400°F <b>Maximum Pressure:</b> 3000 PSIG <b>Internal Volume:</b> 300 cc <b>Weight:</b> 7.5 lbs.</p>	
<p><b>DO NOT SCALE DRAWING IF IN DOUBT ASK</b></p>	<p><b>Drawn By &amp; Date</b> UFS0613V</p>		