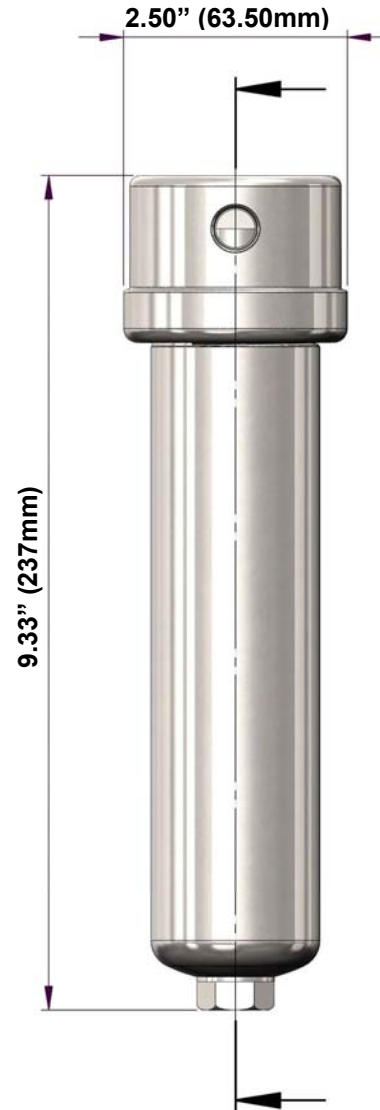
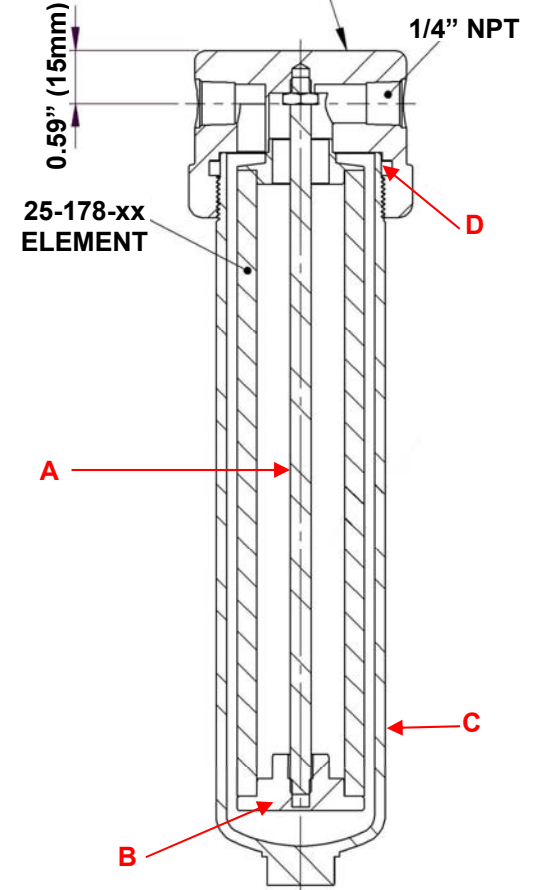


Model: 144S (1/4" NPT)

| Replacement Parts List | |
|---------------------------------------------------------------------------------------------|--------------------------------------------------------------------------------------------------------------------------|
| 25-178-xx | Disposable Filter Element |
| SS-25-178-xx | Stainless Steel Filter Element Comes Standard with Teflon Seals "T" Add "V" for optional Viton Seals when Ordering |
| PT-25-178-xx | PTFE Filter Element |
| PEL-25-178-xx | PEL Filter Element |
| TR140 | Tie Rod (A) |
| ER130 | Element Retainer (B) |
| SC140 | Support Core (Not Pictured) |
| SSB 140 | 316L Stainless Steel Bowl (C) |
| MBSS130 | Mounting Bracket (Not Pictured) |
| Oxygen Cleaning Service Available Note – Please replace "xx" with micron rating or grade | |
| Available O-Rings | |
| GP130S | PTFE (Standard) (D) Solid Gasket |
| Model 144S accepts a Solid PTFE gasket for accepting other elastomers use Model 144. | |




2 MOUNTING HOLES M6-1.0 x 12 DEEP ON 1.50" (38mm) CENTERS @ 90° TO PORTS



7.40" (188mm) MIN. BOWL REMOVAL

Please Note: Exotic Materials are available, for Hastelloy-C (144SHC) and for Monel (144SM).

| | | | |
|----------------------------------------------------------------------------------------------------------------------------------------------------------------------------------------------------------------------------------------------------------------------------------------------------------------------------------------|--------------------------------------------------------------------------------------------------------------------------------------------------------------|----------------------------------------------------------------------------------------------------------------------------------------------------------------------------|-----------------------------------------------------------------------------------------------------------------------------------------------------------------------------------------------------------------------|
|  <p>United Filtration Systems, Inc. 6558 Diplomat Drive Sterling Heights, MI 48314 1-800-311-5561 www.unitedfiltration.com</p> <p>DO NOT SCALE DRAWING IF IN DOUBT ASK</p> | <h2>Model 144S</h2> | | <p>THE COPYRIGHT OF THIS DRAWING IS RESERVED BY UNITED FILTRATION. IT IS ISSUED ON CONDITION THAT IT IS NOT COPIED, REPRODUCED OR DISCLOSED TO A THIRD PART EITHER WHOLLY, OR IN PART WITHOUT CONSENT IN WRITING.</p> |
| | <p>Material: Head: 316L Stainless Steel Bowl: 316L Stainless Steel Internals: 316L Stainless Steel Standard Gasket / O-ring: PTFE</p> | <p>Drain Type: None Maximum Temperature: 400°F Maximum Pressure: 1500 PSIG Internal Volume: 265 cc Weight: 3.5 lbs.</p> | |