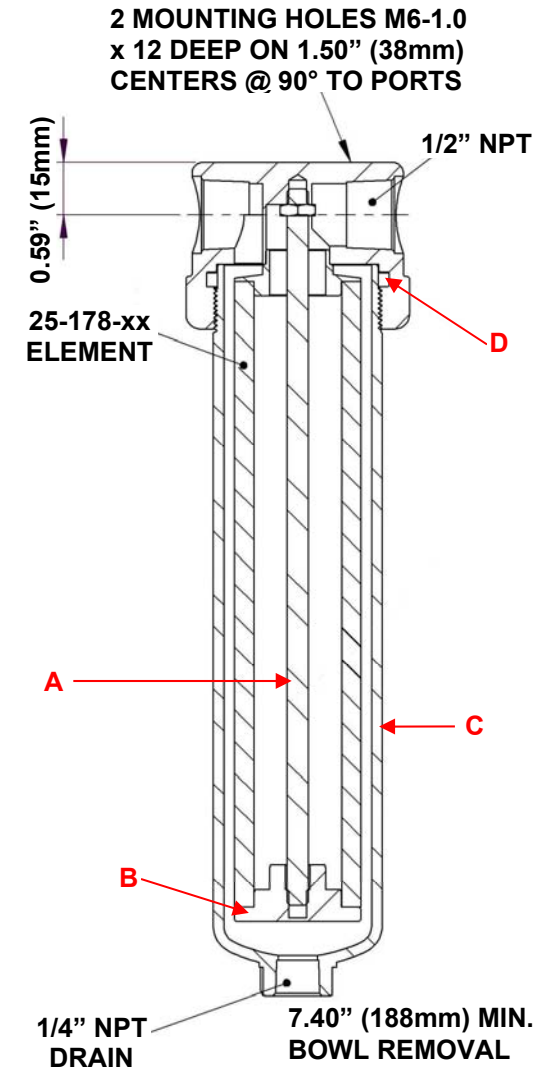
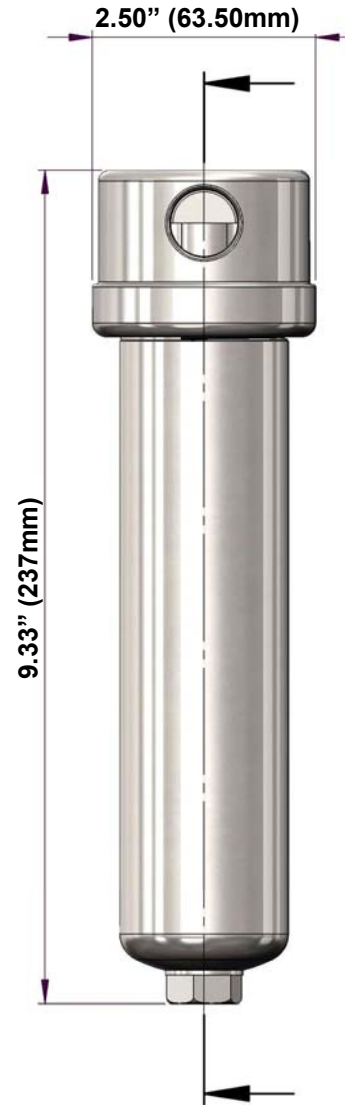



**Model: 142S (1/2" NPT)**

**Replacement Parts List**

25-178-xx	Disposable Filter Element
SS-25-178-xx	Stainless Steel Filter Element Comes Standard with Teflon Seals "T" Add "V" for optional Viton Seals when Ordering
PT-25-178-xx	PTFE Filter Element
PEL-25-178-xx	PEL Filter Element
TR140	Tie Rod (A)
ER130	Element Retainer (B)
SC140	Support Core (Not Pictured)
SSB 140	316L Stainless Steel Bowl (C)
MBSS130	Mounting Bracket (Not Pictured)
Oxygen Cleaning Service Available Note – Please replace "xx" with micron rating or grade	
<b>Available O-Rings</b>	
GP130S	PTFE (Standard) (D) Solid Gasket
Model 142S accepts a Solid PTFE gasket for accepting other elastomers use Model 142.	



Please Note: Exotic Materials are available, for Hastelloy-C (142SHC) and for Monel (142SM).

 <p><b>United Filtration Systems, Inc.</b> 6558 Diplomat Drive Sterling Heights, MI 48314 1-800-311-5561 <a href="http://www.unitedfiltration.com">www.unitedfiltration.com</a></p>	<b>Model 142S</b>		<p>THE COPYRIGHT OF THIS DRAWING IS RESERVED BY UNITED FILTRATION. IT IS ISSUED ON CONDITION THAT IT IS NOT COPIED, REPRODUCED OR DISCLOSED TO A THIRD PART EITHER WHOLLY, OR IN PART WITHOUT CONSENT IN WRITING.</p>
	<p><b>Material:</b> Head: 316L Stainless Steel Bowl: 316L Stainless Steel Internals: 316L Stainless Steel Standard Gasket / O-ring: PTFE</p>	<p><b>Drain Type:</b> 1/4" FNPT <b>Maximum Temperature:</b> 400°F <b>Maximum Pressure:</b> 1500 PSIG <b>Internal Volume:</b> 265 cc <b>Weight:</b> 3.5 lbs.</p>	
<p><b>DO NOT SCALE DRAWING IF IN DOUBT ASK</b></p>		<p><b>Drawn By &amp; Date</b> UFS0915Y</p>	