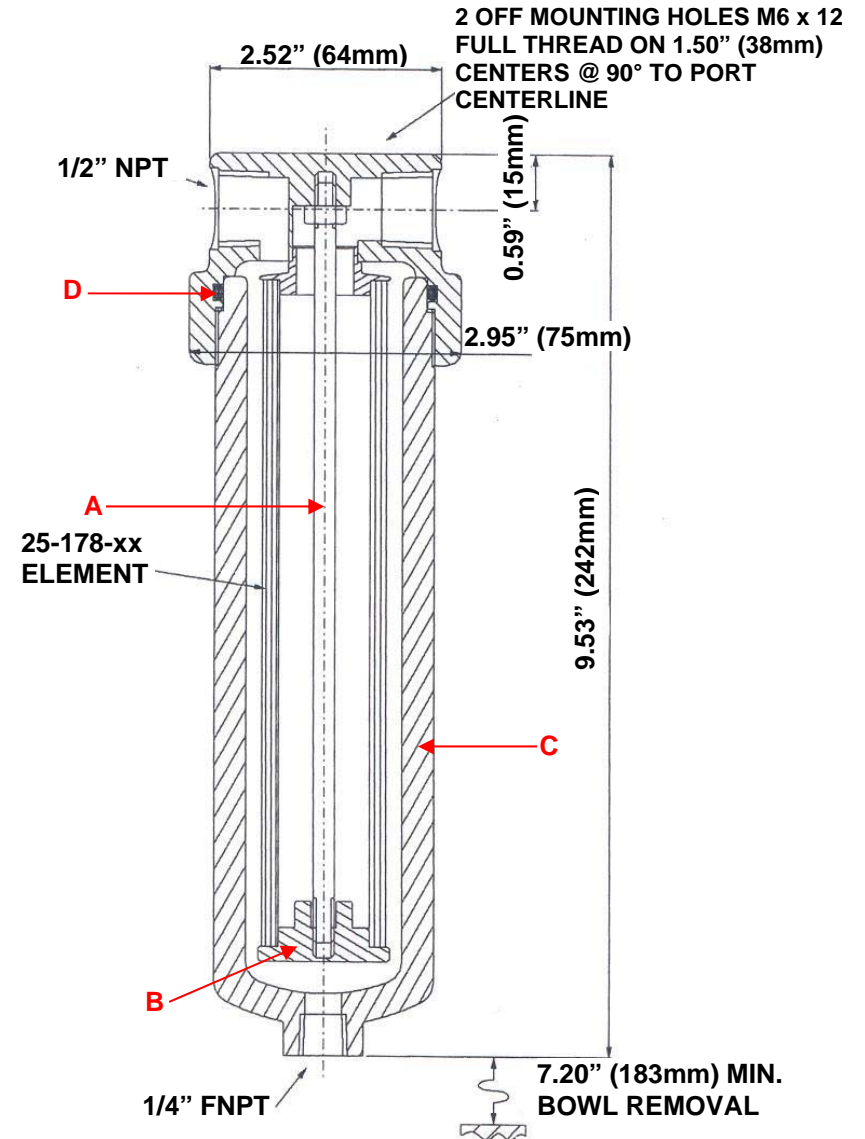



**Model: 142HP (1/2" NPT)**

**Replacement Parts List**

|   |                                 |
|---|---------------------------------|
| 25-178-xx   | Disposable Filter Element       |
| SS-25-178-xx  | Stainless Steel Filter Element  |
| PT-25-178-xx  | PTFE Filter Element             |
| PEL-25-178-xx   | PEL Filter Element              |
| TR140   | Tie Rod (A)                     |
| ER130   | Element Retainer (B)            |
| SC140   | Support Core (Not Pictured)     |
| SSB 140HP   | 316L Stainless Steel Bowl (C)   |
| MBSS130   | Mounting Bracket (Not Pictured) |
| Oxygen Cleaning Service Available<br>Note – Please replace "xx" with micron rating or grade |                                 |
| <b>Available O-Rings</b>  |                                 |
| BN130HP   | Buna-N                          |
| GV130HP   | Viton (Standard) (D)            |
| KZ130HP   | Kalrez                          |
| GS130HP   | Silicone                        |
|   |                                 |



Please Note: Exotic Materials are available, for Hastelloy-C (142HP-HC) and for Monel (142HP-M).

|   |   |   |  |
|---|---|---|--|
|  <p>United Filtration Systems, Inc.<br/>6558 Diplomat Drive<br/>Sterling Heights, MI 48314<br/>1-800-311-5561<br/><a href="http://www.unitedfiltration.com">www.unitedfiltration.com</a></p> | <b>Model 142HP</b>  |   | <p>THE COPYRIGHT OF THIS DRAWING IS RESERVED BY UNITED FILTRATION. IT IS ISSUED ON CONDITION THAT IT IS NOT COPIED, REPRODUCED OR DISCLOSED TO A THIRD PARTY EITHER WHOLLY, OR IN PART WITHOUT CONSENT IN WRITING.</p> |
|   | <p><b>Material:</b><br/>Head: 316L Stainless Steel<br/>Bowl: 316L Stainless Steel<br/>Internals: 316L Stainless Steel<br/>Standard Gasket / O-ring: Viton</p> | <p><b>Drain Type:</b> 1/4" FNPT<br/><b>Maximum Temperature:</b> 400°F<br/><b>Maximum Pressure:</b> 3000 PSIG<br/><b>Internal Volume:</b> 300 cc<br/><b>Weight:</b> 7.5 lbs.</p> |  |
| <p><b>DO NOT SCALE DRAWING<br/>IF IN DOUBT ASK</b></p>  |   | <p><b>Drawn By &amp; Date</b> UFS0613V</p>  |  |