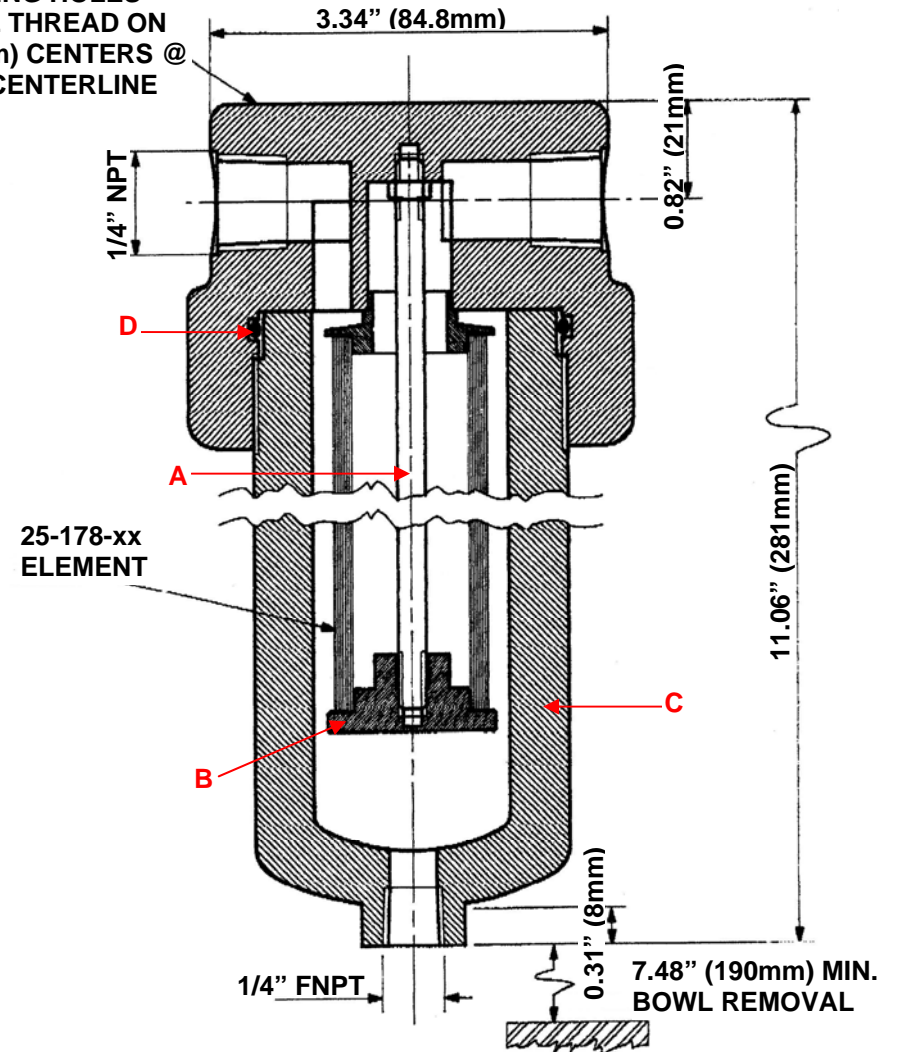


Model: 140HHP (1/4" NPT)


Replacement Parts List

25-178-xx	Disposable Filter Element
SS-25-178-xx	Stainless Steel Filter Element
PT-25-178-xx	PTFE Filter Element
PEL-25-178-xx	PEL Filter Element
TR140HHP	Tie Rod (A)
ER130	Element Retainer (B)
SC140	Support Core (Not Pictured)
SSB 140HHP	316L Stainless Steel Bowl (C)
MB150	Mounting Bracket (Not Pictured)
Oxygen Cleaning Service Available Note – Please replace "xx" with micron rating or grade	
Available O-Rings	
BN130HHP	Buna-N
GV130HHP	Viton (Standard) (D)
KZ130HHP	Kalrez
GS130HHP	Silicone

2 OFF MOUNTING HOLES
M10 x 15 FULL THREAD ON
2.50" (63.50mm) CENTERS @
90° TO PORT CENTERLINE



Please Note: Exotic Materials are available, for Hastelloy-C (140HHP-HC) and for Monel (140HHP-M).

 <p>United Filtration Systems, Inc. 6558 Diplomat Drive Sterling Heights, MI 48314 1-800-311-5561 www.unitedfiltration.com</p>	Model 140HHP		<p>THE COPYRIGHT OF THIS DRAWING IS RESERVED BY UNITED FILTRATION. IT IS ISSUED ON CONDITION THAT IT IS NOT COPIED, REPRODUCED OR DISCLOSED TO A THIRD PARTY EITHER WHOLLY, OR IN PART WITHOUT CONSENT IN WRITING.</p>
	<p>Material: Head: 316L Stainless Steel Bowl: 316L Stainless Steel Internals: 316L Stainless Steel Standard Gasket / O-ring: Viton</p>	<p>Drain Type: 1/4" FNPT Maximum Temperature: 400°F Maximum Pressure: 6000 PSIG Internal Volume: 320 cc Weight: 15 lbs.</p>	
<p>DO NOT SCALE DRAWING IF IN DOUBT ASK</p>		<p>Drawn By & Date UFS0613V</p>	