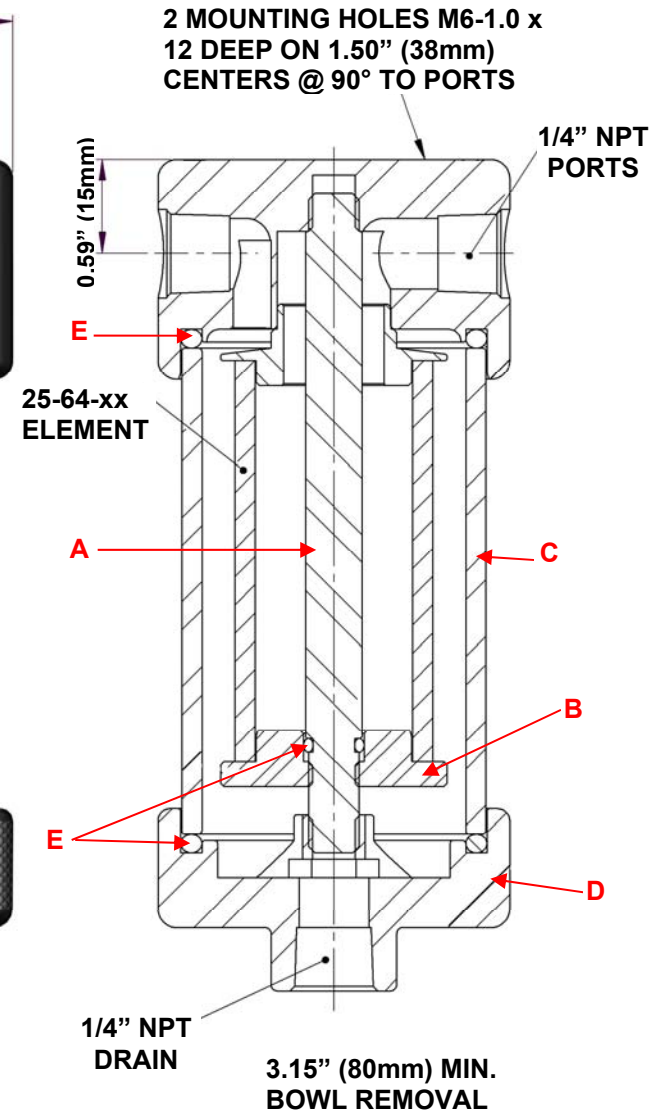



Model: 137 (1/4" NPT)

Replacement Parts List

25-64-xx	Disposable Filter Element
SS-25-64-xx	Stainless Steel Filter Element Comes Standard with Teflon Seals "T" Add "V" for optional Viton Seals when Ordering
PT-25-64-xx	PTFE Filter Element
PEL-25-64-xx	PEL Filter Element
TR137	Tie Rod (A)
ER137	Element Retainer (B)
SC130	Support Core (Not Pictured)
MB137	Stainless Steel Bowl (C)
BP137	Base Plate (D)
MBSS130	Mounting Bracket (Not Pictured)
Oxygen Cleaning Service Available Note – Please replace "xx" with micron rating or grade	
Available O-Rings	
BN137	Buna-N (Set of 3)
GV137	Viton (Standard) (Set of 3) (E)
KZ137	Kalrez (Set of 3)
GS137	Silicone (Set of 3)



Please Note: Exotic Materials are available, for Hastelloy-C (137HC) and for Monel (137M).

 United Filtration Systems, Inc. 6558 Diplomat Drive Sterling Heights, MI 48314 1-800-311-5561 www.unitedfiltration.com	Model 137		THE COPYRIGHT OF THIS DRAWING IS RESERVED BY UNITED FILTRATION. IT IS ISSUED ON CONDITION THAT IT IS NOT COPIED, REPRODUCED OR DISCLOSED TO A THIRD PART EITHER WHOLLY, OR IN PART WITHOUT CONSENT IN WRITING.
	Material: Head: 316L Stainless Steel Bowl: 316L Stainless Steel Internals: 316L Stainless Steel Standard Gasket / O-ring: Viton	Drain Type: 1/4" FNPT Maximum Temperature: 400°F Maximum Pressure: 150 PSIG Internal Volume: 110 cc Weight: 2.5 lbs.	

**DO NOT SCALE DRAWING
IF IN DOUBT ASK**