

Model: 136IL-3 (1/2" NPT)

Replacement Parts List

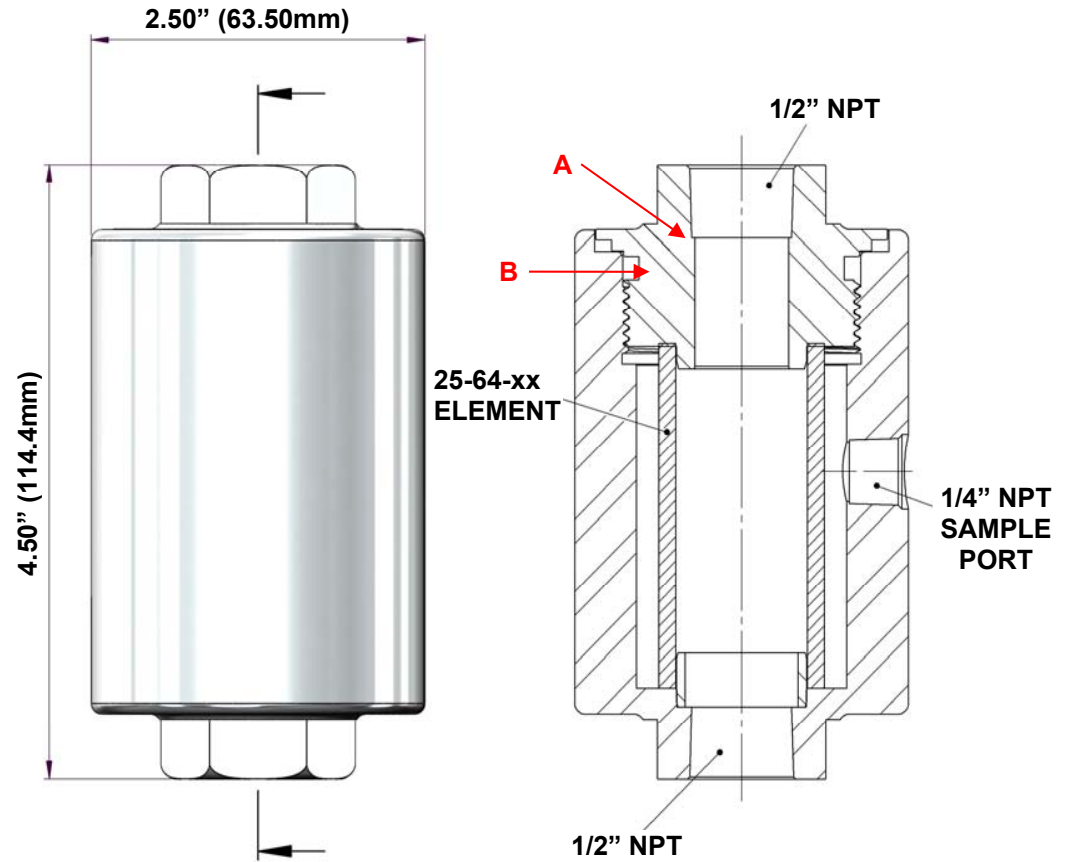
| | |
|--------------|--|
| SS-25-64-xx | Stainless Steel Filter Element Comes Standard with Teflon Seals "T" |
| PT-25-64-xx | PTFE Filter Element |
| PEL-25-64-xx | PEL Filter Element |
| EC136IL-3 | Stainless Steel End Cap (A) |
| | |
| | |
| | |

Oxygen Cleaning Service Available
Note – Please replace "xx" with micron rating or grade


Available O-Rings

| | |
|-----------|----------------------|
| BN136IL-3 | Buna-N |
| GV136IL-3 | Viton (Standard) (B) |
| KZ136IL-3 | Kalrez |
| GS136IL-3 | Silicone |

PTFE Seal not available - Do to design



Please Note: Exotic Materials are available, for Hastelloy-C (136IL-3HC) and for Monel (136IL-3M).

| | | | |
|--|---|--|---|
|  <p>United Filtration Systems, Inc. 6558 Diplomat Drive Sterling Heights, MI 48314 1-800-311-5561 www.unitedfiltration.com</p> | Model 136IL-3 | | <p>THE COPYRIGHT OF THIS DRAWING IS RESERVED BY UNITED FILTRATION. IT IS ISSUED ON CONDITION THAT IT IS NOT COPIED, REPRODUCED OR DISCLOSED TO A THIRD PART EITHER WHOLLY, OR IN PART WITHOUT CONSENT IN WRITING.</p> |
| | <p>Material: Head: 316L Stainless Steel Bowl: 316L Stainless Steel Internals: 316L Stainless Steel Standard Gasket / O-ring: Viton</p> | <p>Sample Port: 1/4" Maximum Temperature: 400°F Maximum Pressure: 1500 PSIG Internal Volume: 94 cc Weight: 4 lbs.</p> | |
| | | <p>Drawn By & Date UFS0914Y</p> | |