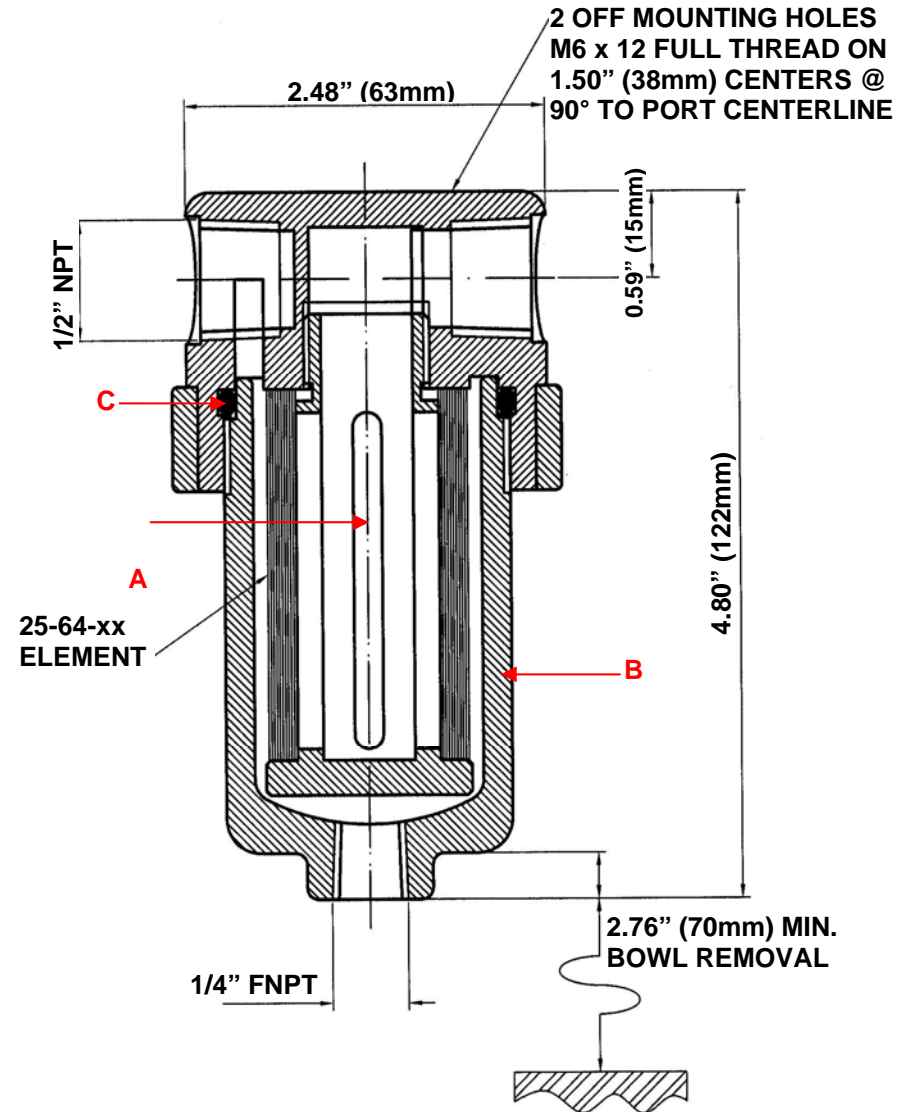



**Model: 132P (1/2" NPT)**

**Replacement Parts List**

25-64-xx	Disposable Filter Element
SS-25-64-xx	Stainless Steel Filter Element
PT-25-64-xx	PTFE Filter Element
PEL-25-64-xx	PEL Filter Element
TR130P	Tie Rod w/ Element Retainer (A)
SC130P	Support Core (Not Pictured)
GPTFE130P	PTFE Bowl (B)
MBSS130	Mounting Bracket (Not Pictured)
Oxygen Cleaning Service Available Note – Please replace "xx" with micron rating or grade	
<b>Available O-Rings</b>	
BN130P	Buna-N
GV130P	Viton (Standard) (C)
KZ130P	Kalrez
GS130P	Silicone



 <p>United Filtration Systems, Inc. 6558 Diplomat Drive Sterling Heights, MI 48314 1-800-311-5561 <a href="http://www.unitedfiltration.com">www.unitedfiltration.com</a></p>	<b>Model 132P</b>		<p>THE COPYRIGHT OF THIS DRAWING IS RESERVED BY UNITED FILTRATION. IT IS ISSUED ON CONDITION THAT IT IS NOT COPIED, REPRODUCED OR DISCLOSED TO A THIRD PARTY EITHER WHOLLY, OR IN PART WITHOUT CONSENT IN WRITING.</p>
	<p><b>Material:</b> Head: PTFE Bowl: PTFE Internals: PTFE Standard Gasket / O-ring: Viton</p>	<p><b>Drain Type:</b> 1/4" FNPT <b>Maximum Temperature:</b> 400°F <b>Maximum Pressure:</b> 100 PSIG <b>Internal Volume:</b> 90 <b>Weight:</b> 1 lb.</p>	
<p><b>DO NOT SCALE DRAWING IF IN DOUBT ASK</b></p>		<p><b>Drawn By &amp; Date</b> UFS0612V</p>	