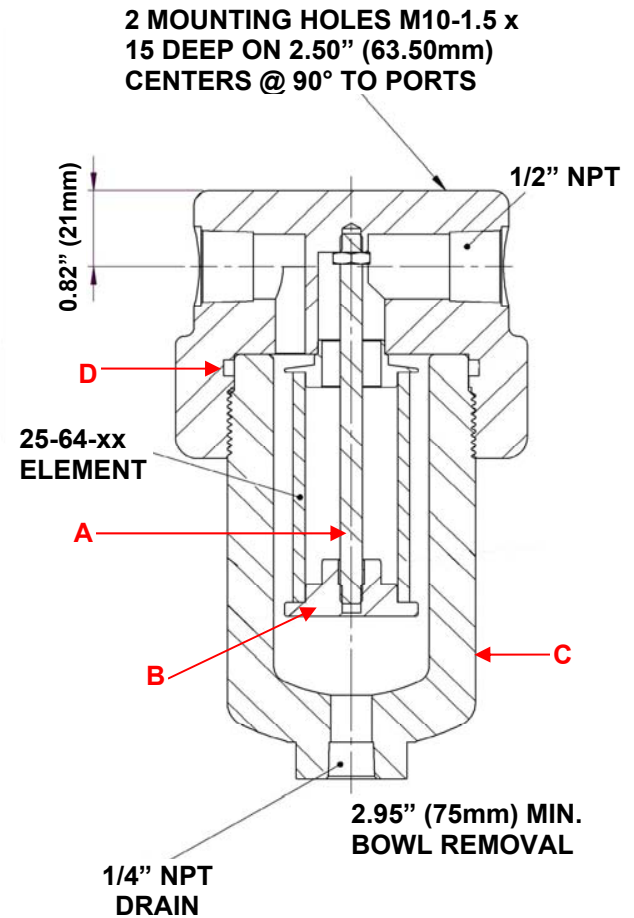



**Model: 132HHP (1/2" NPT)**

**Replacement Parts List**

25-64-xx	Disposable Filter Element
SS-25-64-xx	Stainless Steel Filter Element Comes Standard with Teflon Seals "T" Add "V" for optional Viton Seals when Ordering
PT-25-64-xx	PTFE Filter Element
PEL-25-64-xx	PEL Filter Element
TR130HHP	Tie Rod (A)
ER130	Element Retainer (B)
SC130	Support Core (Not Pictured)
SSB 130HHP	316L Stainless Steel Bowl (C)
MB150	Mounting Bracket (Not Pictured)
Oxygen Cleaning Service Available Note – Please replace "xx" with micron rating or grade	
<b>Available O-Rings</b>	
BN130HHP	Buna-N
GV130HHP	Viton (Standard) (D)
KZ130HHP	Kalrez
GS130HHP	Silicone
GE130HHP	EPDM
GNA130SHHP	Nitrile Carbon (High Temperature)



Please Note: Exotic Materials are available, for Hastelloy-C (132HHP-HC) and for Monel (132HHP-M).

 <p><b>United Filtration Systems, Inc.</b> 6558 Diplomat Drive Sterling Heights, MI 48314 1-800-311-5561 <a href="http://www.unitedfiltration.com">www.unitedfiltration.com</a></p>	<b>Model 132HHP</b>		<p>THE COPYRIGHT OF THIS DRAWING IS RESERVED BY UNITED FILTRATION. IT IS ISSUED ON CONDITION THAT IT IS NOT COPIED, REPRODUCED OR DISCLOSED TO A THIRD PART EITHER WHOLLY, OR IN PART WITHOUT CONSENT IN WRITING.</p>
	<p><b>Material:</b> Head: 316L Stainless Steel Bowl: 316L Stainless Steel Internals: 316L Stainless Steel Standard Gasket / O-ring: Viton</p>	<p><b>Drain Type:</b> 1/4" FNPT <b>Maximum Temperature:</b> 400°F <b>Maximum Pressure:</b> 6000 PSIG <b>Internal Volume:</b> 160 cc <b>Weight:</b> 10.5 lbs.</p>	

**DO NOT SCALE DRAWING  
IF IN DOUBT ASK**