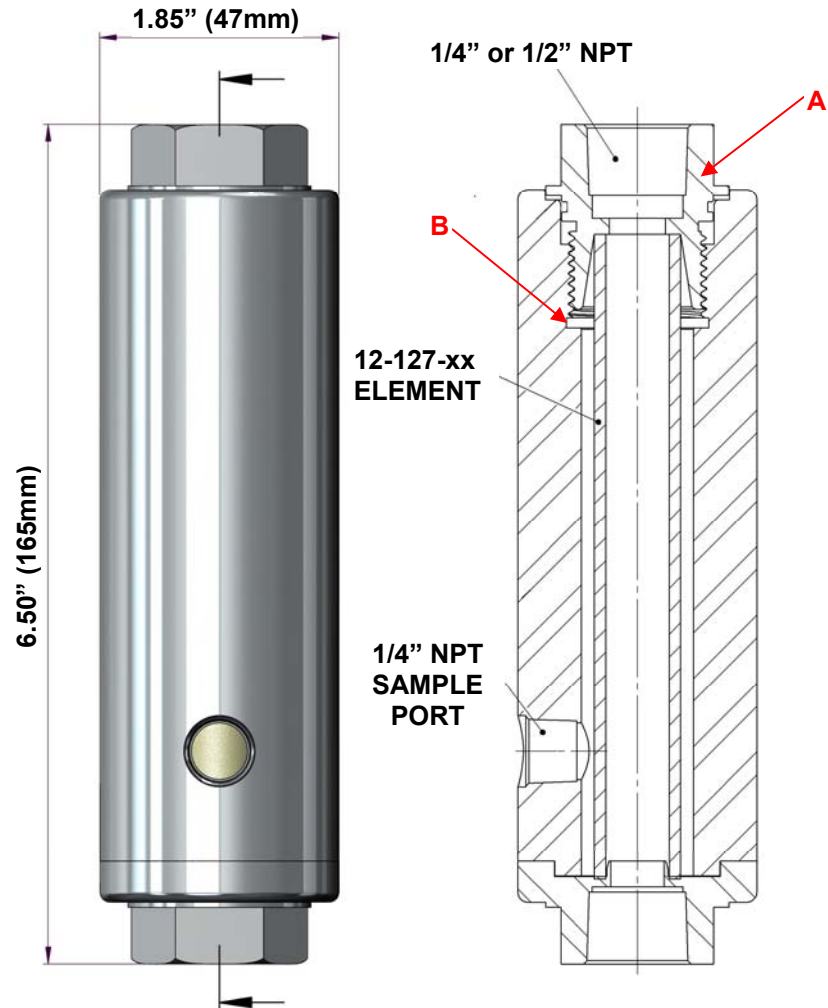



Model: 127IL-3 (1/4" or 1/2" NPT)

Replacement Parts List

SS-12-127-xx	Stainless Steel Filter Element Comes Standard with Teflon Seals "T"
PT-12-127-xx	PTFE Filter Element
PEL-12-127-xx	PEL Filter Element
EC127IL-3	Stainless Steel End Cap (A)
Oxygen Cleaning Service Available Note – Please replace "xx" with micron rating or grade	
Available O-Rings	
BN127IL-3	Buna-N
GV127IL-3	Viton (Standard) (B)
KZ127IL-3	Kalrez
GS127IL-3	Silicone
PTFE Seal not available - Do to design	



Please Note: Exotic Materials are available, for Hastelloy-C (127IL-3HC) and for Monel (127IL-3M).

 <p>United Filtration Systems, Inc. 6558 Diplomat Drive Sterling Heights, MI 48314 1-800-311-5561 www.unitedfiltration.com</p> <p>DO NOT SCALE DRAWING IF IN DOUBT ASK</p>	Model 127IL-3 (1/4" or 1/2")		<p>THE COPYRIGHT OF THIS DRAWING IS RESERVED BY UNITED FILTRATION. IT IS ISSUED ON CONDITION THAT IT IS NOT COPIED, REPRODUCED OR DISCLOSED TO A THIRD PART EITHER WHOLLY, OR IN PART WITHOUT CONSENT IN WRITING.</p>
	<p>Material: Head: 316L Stainless Steel Bowl: 316L Stainless Steel Internals: 316L Stainless Steel Standard Gasket / O-ring: Viton</p>	<p>Sample Port: 1/4" FNPT Maximum Temperature: 400°F Maximum Pressure: 5000 PSIG Internal Volume: 58 Weight: 4 lbs</p>	
<p>Drawn By & Date UFS0914Y</p>			