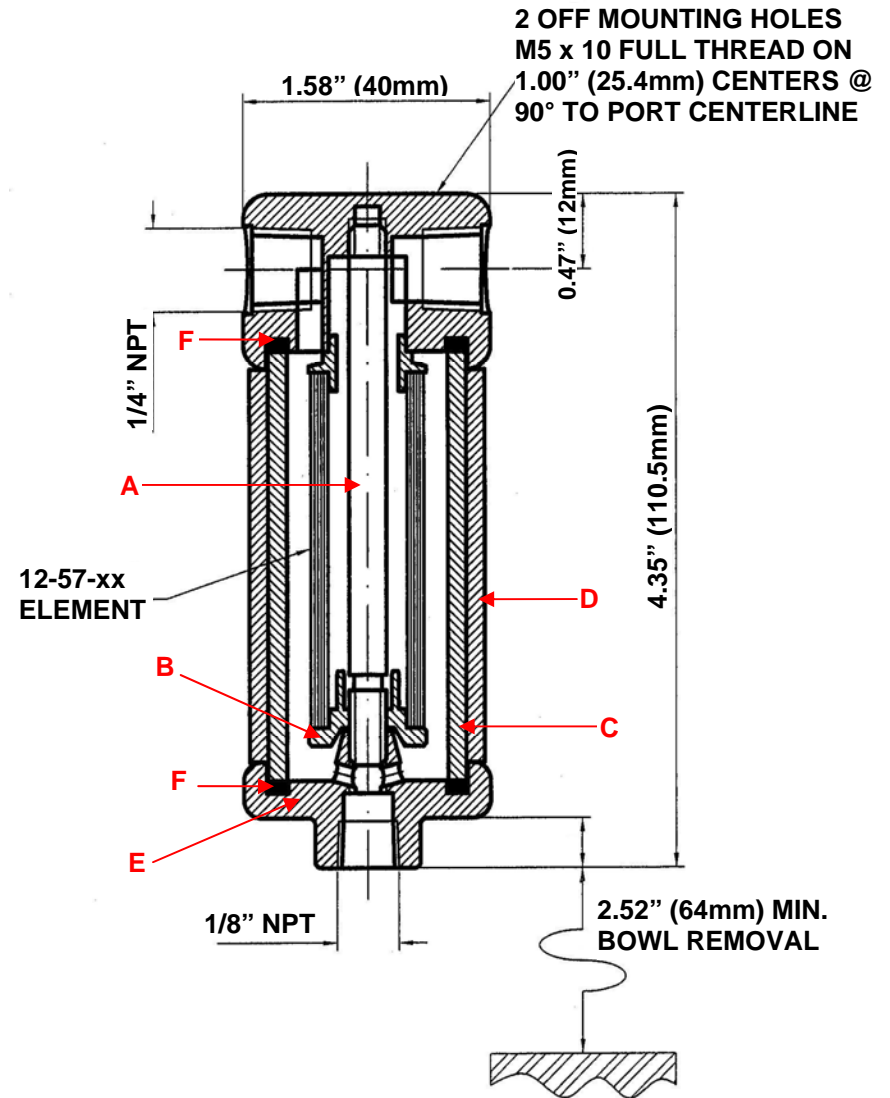



Model: 127G (1/4" NPT)

Replacement Parts List

12-57-xx	Disposable Filter Element
SS-12-57-xx	Stainless Steel Filter Element
PT-12-57-xx	PTFE Filter Element
PEL-12-57-xx	PEL Filter Element
TR127	Tie Rod (A)
ER127	Element Retainer (B)
SC120	Support Core (Not Pictured)
GB127	Pyrex Glass Bowl (C)
BG127	Bowl Guard (D)
BP127	Base Plate (E)
MBSS110	Mounting Bracket (Not Pictured)
Oxygen Cleaning Service Available Note – Please replace "xx" with micron rating or grade	
Available O-Rings	
BN127	Buna-N
GV127	Viton (Standard) (F)
KZ127	Kalrez
GS127	Silicone



Please Note: Exotic Materials are available, for Hastelloy-C (127G-HC) and for Monel (127G-M).

 <p>United Filtration Systems, Inc. 6558 Diplomat Drive Sterling Heights, MI 48314 1-800-311-5561 www.unitedfiltration.com</p> <p>DO NOT SCALE DRAWING IF IN DOUBT ASK</p>	Model 127G		<p>THE COPYRIGHT OF THIS DRAWING IS RESERVED BY UNITED FILTRATION. IT IS ISSUED ON CONDITION THAT IT IS NOT COPIED, REPRODUCED OR DISCLOSED TO A THIRD PART EITHER WHOLLY, OR IN PART WITHOUT CONSENT IN WRITING.</p>
	<p>Material: Head: 316L Stainless Steel Bowl: Pyrex Internals: 316L Stainless Steel Standard Gasket / O-ring: Viton</p>	<p>Drain Type: 1/8" NPT Maximum Temperature: 400°F Maximum Pressure: 100 PSIG Internal Volume: 39 cc Weight: 1 lb.</p>	
<p>Drawn By & Date UFS0529V</p>			