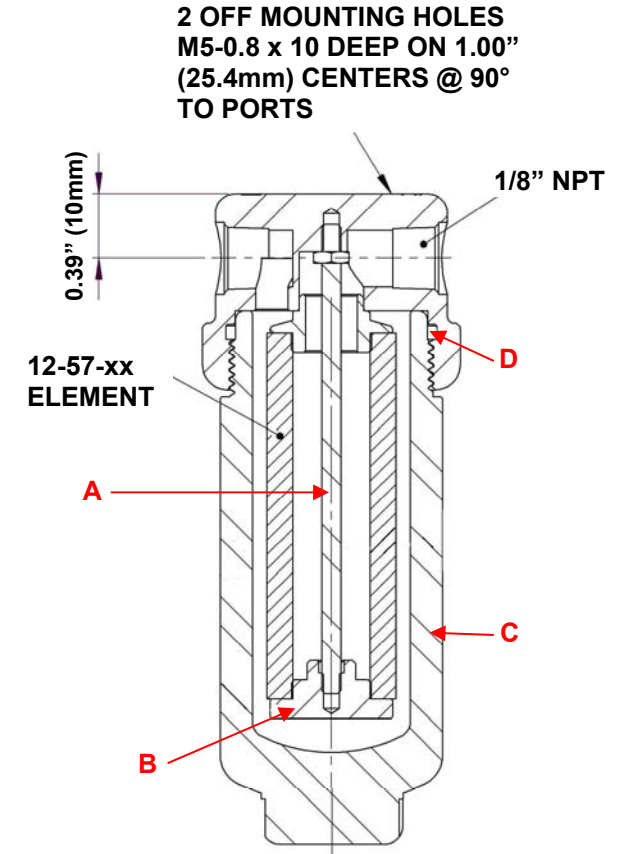



Model: 124S (1/8" NPT)

Replacement Parts List	
12-57-xx	Disposable Filter Element
SS-12-57-xx	Stainless Steel Filter Element Comes Standard with Teflon Seals "T" Add "V" for optional Viton Seals when Ordering
PT-12-57-xx	PTFE Filter Element
PEL-12-57-xx	PEL Filter Element
TR120	Tie Rod (A)
ER110	Element Retainer (B)
SC120	Support Core (Not Pictured)
SSB 120	316L Stainless Steel Bowl (C)
MBSS110	Mounting Bracket (Not Pictured)
Oxygen Cleaning Service Available Note – Please replace "xx" with micron rating or grade	
Available O-Rings	
GP110S	PTFE (Standard) (D) Solid Gasket
Model 124S accepts a Solid PTFE gasket for accepting other elastomers use Model 124.	



**2.36" (60mm) MIN.
BOWL REMOVAL**

Please Note: Exotic Materials are available, for Hastelloy-C (124SHC) and for Monel (124SM).

 <p>United Filtration Systems, Inc. 6558 Diplomat Drive Sterling Heights, MI 48314 1-800-311-5561 www.unitedfiltration.com</p>	Model 124S		<p>THE COPYRIGHT OF THIS DRAWING IS RESERVED BY UNITED FILTRATION. IT IS ISSUED ON CONDITION THAT IT IS NOT COPIED, REPRODUCED OR DISCLOSED TO A THIRD PART EITHER WHOLLY, OR IN PART WITHOUT CONSENT IN WRITING.</p>
	<p>Material: Head: 316L Stainless Steel Bowl: 316L Stainless Steel Internals: 316L Stainless Steel Standard Gasket / O-ring: Viton</p>	<p>Drain Type: None Maximum Temperature: 400°F Maximum Pressure: 5000 PSIG Internal Volume: 30 cc Weight: 1 lb.</p>	
<p>DO NOT SCALE DRAWING IF IN DOUBT ASK</p>		<p>Drawn By & Date UFS0722Y</p>	