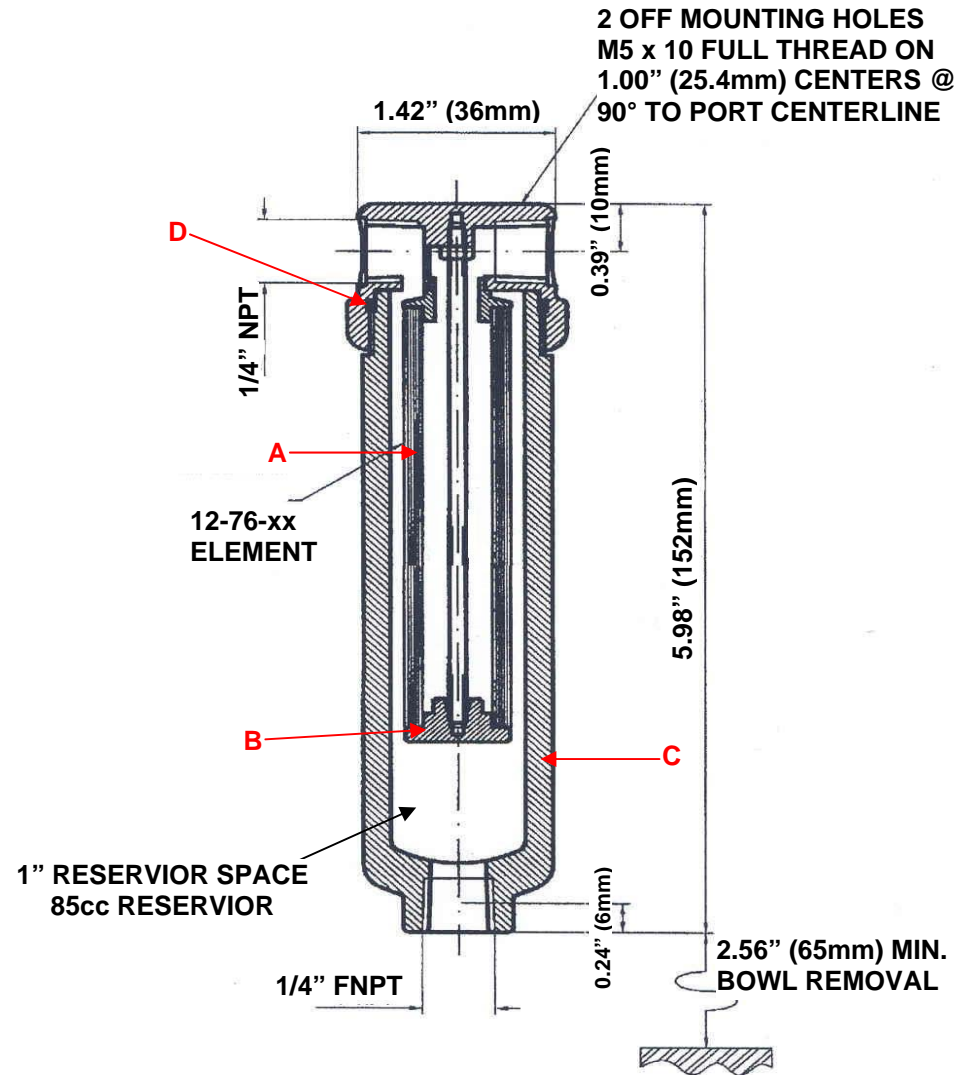



**Model: 122LB-PVF-PEL20 (1/4" NPT)**

Replacement Parts List	
12-76-70CS	Disposable Filter Element
SS-12-76-xx	Stainless Steel Filter Element
PEL-12-76-xx	PEL Filter Element (Comes with 20 Micron)
TR122LB-PVF	Tie Rod (A)
ER110	Element Retainer (B)
SSB 122LB	316L Stainless Steel Bowl (C)
MBSS110	Mounting Bracket (Not Pictured)
Oxygen Cleaning Service Available Note – Please replace "xx" with micron rating or grade	
Available O-Rings	
BN110	Buna-N
GV110	Viton (Standard) (D)
KZ110	Kalrez
GS110	Silicone



Please Note: Exotic Materials are available, for Hastelloy-C (122LB-HC-PVF) and for Monel (122LB-M-PVF).

 <p>United Filtration Systems, Inc. 6558 Diplomat Drive Sterling Heights, MI 48314 1-800-311-5561 <a href="http://www.unitedfiltration.com">www.unitedfiltration.com</a></p>	<h3>Model 122LB-PVF-PEL20</h3>		<p>THE COPYRIGHT OF THIS DRAWING IS RESERVED BY UNITED FILTRATION. IT IS ISSUED ON CONDITION THAT IT IS NOT COPIED, REPRODUCED OR DISCLOSED TO A THIRD PARTY EITHER WHOLLY, OR IN PART WITHOUT CONSENT IN WRITING.</p>
	<p><b>Material:</b> Head: 316L Stainless Steel Bowl: 316L Stainless Steel Internals: 316L Stainless Steel Standard Gasket / O-ring: Viton</p>	<p><b>Drain Type:</b> 1/4" FNPT <b>Maximum Temperature:</b> 400°F <b>Maximum Pressure:</b> 5000 PSIG <b>Internal Volume:</b> 53cc <b>Weight:</b> 1.5 lbs</p>	
<p><b>Drawn By &amp; Date</b> UFS0529V</p>			
<p><b>DO NOT SCALE DRAWING IF IN DOUBT ASK</b></p>			