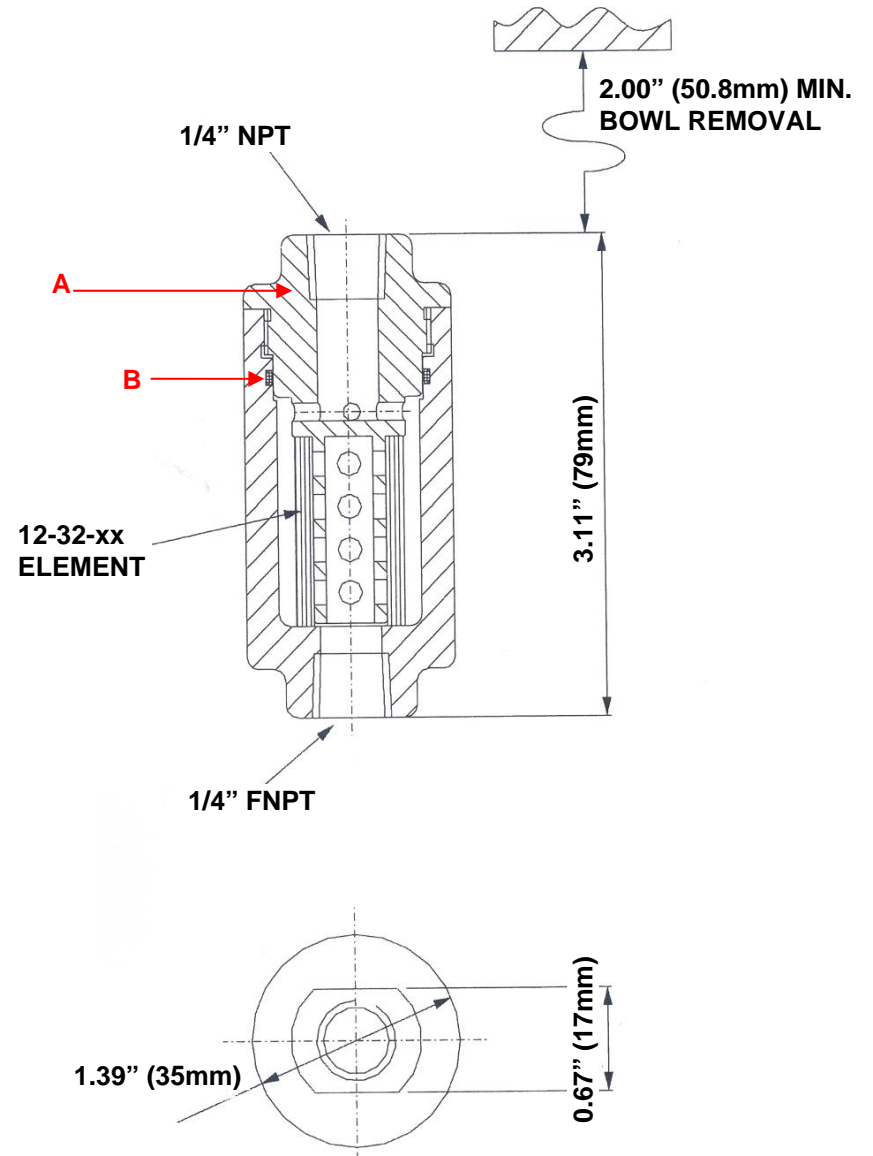



**Model: 116IL (1/4" NPT)**

**Replacement Parts List**

12-32-xx	Disposable Filter Element
SS-12-32-xx	Stainless Steel Filter Element
PT-12-32-xx	PTFE Filter Element
PEL-12-32-xx	PEL Filter Element
EC116IL	Stainless Steel End Cap (A)
Oxygen Cleaning Service Available Note – Please replace "xx" with micron rating or grade	
<b>Available O-Rings</b>	
BN126IL-3	Buna-N
GV126IL-3	Viton (Standard) (B)
KZ126IL-3	Kalrez
GS126IL-3	Silicone



Please Note: Exotic Materials are available, for Hastelloy-C (116IL-HC) and for Monel (116IL-M).

 <b>United Filtration Systems, Inc.</b> 6558 Diplomat Drive Sterling Heights, MI 48314 1-800-311-5561 <a href="http://www.unitedfiltration.com">www.unitedfiltration.com</a>	<b>Model 116IL</b>		THE COPYRIGHT OF THIS DRAWING IS RESERVED BY UNITED FILTRATION. IT IS ISSUED ON CONDITION THAT IT IS NOT COPIED, REPRODUCED OR DISCLOSED TO A THIRD PART EITHER WHOLLY, OR IN PART WITHOUT CONSENT IN WRITING.
	<b>Material:</b> Head: 316L Stainless Steel Bowl: 316L Stainless Steel Internals: 316L Stainless Steel Standard Gasket / O-ring: Viton	<b>Drain Type:</b> 1/4" FNPT <b>Maximum Temperature:</b> 400°F <b>Maximum Pressure:</b> 5000 PSIG <b>Internal Volume:</b> 18 cc <b>Weight:</b> 1 lb.	
<b>DO NOT SCALE DRAWING IF IN DOUBT ASK</b>			